

## A PHYLOGENETIC STUDY OF THE ORDER ASTERALES USING ONE MORPHOLOGICAL AND THREE MOLECULAR DATA SETS

Johannes Lundberg<sup>1</sup> and Kåre Bremer

Department of Systematic Botany, Evolutionary Biology Centre, Uppsala University, Norbyvägen 18D, SE-752 36 Uppsala, Sweden

We obtained two most parsimonious cladograms using a data set of 100 characters derived from morphology, anatomy, embryology, chemistry, and karyology, combined with three nucleotide sequence data sets (the chloroplast genes *atpB*, *ndhF*, and *rbcL*) in a phylogenetic analysis of all 12 currently recognized families in the angiosperm order Asterales, represented by 40 genera. Most clades were supported by a jackknife value of at least 50% and a Bremer support of 5 or more. Rouseaceae *sensu lato* (including Carpodetaceae), together with Pentaphragmataceae and Campanulaceae s.l., is the sister group to the rest of the Asterales. A sister group relationship between *Donatia* and Stylidiaceae is well supported both morphologically and by molecular data, and we suggest that *Donatia* should again be treated as a subfamily in Stylidiaceae. The sister group relationship between Calyceraceae and Asteraceae is well supported.

**Keywords:** Asteraceae, Asterales, *atpB*, Calyceraceae, Campanulaceae, combined analysis, *Donatia*, *ndhF*, phylogeny, *rbcL*, Stylidiaceae.

### Introduction

The order Asterales comprises more than 10%, or 26,000 species, of the angiosperm species diversity. The vast majority of them, or ca. 23,000 species (Bremer 1994a), are classified in one single family, the easily characterized Asteraceae. Thus, it is not surprising that in the Asterales often only this family is included (Thorne 1968; Dahlgren 1975; Cronquist 1981; Takhtajan 1997). The presumably closely related Campanulaceae and their relatives were sometimes also included, but more often they have been treated as a separate order, Campanulales (Takhtajan 1997). Campanulales have usually included Campanulaceae, with the subfamilies Campanuloideae, Lobelioideae, Cyphioideae, and the recently erected Nemacladoideae and Cyphocarpoideae and their supposed relatives Pentaphragmataceae and Sphenocleaceae (Thorne 1968, 1992; Dahlgren 1975; Takhtajan 1997), and sometimes also Goodeniaceae, Brunoniaceae, Calyceraceae, Stylidiaceae, and Donatiaceae in various combinations (Takhtajan 1966, 1983; Cronquist 1981; Thorne 1992). Today, Sphenocleaceae have been transferred to Solanales (Cosner et al. 1994), and Brunoniaceae are included in Goodeniaceae (Carolin 1977; Gustafsson 1996; Gustafsson et al. 1996).

Furthermore, many taxa have been moved from various positions in the angiosperm system to a more inclusive Asterales: (1) Menyanthaceae, formerly included in Gentianales either as a family of its own or as a subfamily in Gentianaceae, are now included in a clade that also consists of Asteraceae, Calyceraceae (Downie and Palmer 1992; Olmstead et al. 1992), and

Goodeniaceae; (2) *Argophyllum* of Argophyllaceae has often been placed in Saxifragaceae-Escallonioidae (Engler 1890, 1928), while the second genus of Argophyllaceae, *Corokia*, often has been included in Cornaceae (Hooker 1867; Harms 1897; Wangerin 1910; Allan 1961; Melchior 1964; and others), although some authors noted that the two genera seemed to be closely related (Engler 1928; Eyde 1966). Today, they are recognized as members of the same family in Asterales on the basis of embryological (Kapil and Bhatnagar 1992) and molecular (Gustafsson et al. 1996; Kårehed et al. 1999; Olmstead et al. 2000) evidence; (3) Rouseaceae (including Carpodetaceae; Lundberg 2001), with four genera formerly included in different subfamilies in the Englerian Saxifragaceae (Engler 1928), are now recognized as a member of Asterales (Gustafsson and Bremer 1997; Koontz and Soltis 1999; Lundberg 2001); (4) Phellinaceae, a monogeneric family treated as a member of Aquifoliaceae (Aquifoliales) by Baillon (1892) and Loesner (1901, 1942), are now regarded as sister group to Argophyllaceae (Backlund and Bremer 1997; Gustafsson and Bremer 1997; Kårehed et al. 1999); and (5) Alseuosmiaceae, a diverse family with its four genera earlier variously placed in Caprifoliaceae (Hooker 1873 and Fritsch 1891, among others), Ericaceae (Bentham 1869; Drude 1889; Stevens 1971), or close to a heterogeneous Escalloniaceae (Airy Shaw 1965; Thorne 1992) or an even more heterogeneous Grosulariaceae (including Escalloniaceae; Cronquist 1981), are now considered the sister group to a Phellinaceae-Argophyllaceae clade (Backlund and Bremer 1997; Gustafsson and Bremer 1997; Kårehed et al. 1999). Thus, the number of families included in Asterales has increased from just one (or at most eight) to 12 in only 10 yr.

Even if we now have a much better understanding of what taxa should be included in Asterales, there are still uncertainties about the exact placement of several of them. The basal branching order has at best received low support values, and

<sup>1</sup> Author for correspondence; current address: Department of Biology, Graduate School of Science, Kyoto University, Kyoto 606-8502, Japan; e-mail [lundberg@sys.bot.kyoto-u.ac.jp](mailto:lundberg@sys.bot.kyoto-u.ac.jp).

Manuscript received September 2001; revised manuscript received February 2003.

only few, limited analyses have included all taxa currently recognized at the family level in Asterales (Savolainen et al. 2000b; Lundberg 2001), none of them with focus on the order. In this article, we present a reliable phylogeny of Asterales as currently circumscribed (Angiosperm Phylogeny Group [APG] 1998), and we use this phylogeny to discuss the morphological evolution within the order and perhaps also arrive at a stable family-level classification of Asterales.

## Material and Methods

### Taxon Sampling

The data matrix consists of 40 genera representing all 12 currently recognized families of Asterales (APG 1998; Lundberg 2001). Several families have all or most of their genera sampled by us (table 1). The two largest families, Asteraceae and Campanulaceae, are represented by only a few genera, but an attempt to include most of the currently recognized subfamilies (sometimes treated as families; Takhtajan 1997) has been made. In Campanulaceae, the monogeneric subfamily Cyphocarpoideae has not been included in the analysis because of lack of material, but in the phylogenetic analysis by Ayers (1999), this subfamily has been found to be closely associated with subfamily Lobelioideae, and its exclusion from our analysis is, thus, not expected to affect any interfamilial relationships. A newly identified member of Asterales, *Platyspermatum* (previously placed in Escalloniaceae but shown to be a member of Asterales by R. Schmid and J. Lundberg [unpublished manuscript]), was also included despite very little published information and the absence of any good herbarium material.

Five genera (*Griselinia* and *Melanophylla* of Apiales, *Viburnum* and *Symphoricarpos* of Dipsacales, and *Ilex* of Aquifoliales) that represent the three other orders currently recognized in the Euasterids II (*sensu* APG 1998) as well as three representatives for Escalloniaceae (considered *incertae sedis* in Euasterids II; *Quintinia*, *Escallonia*, and *Anopterus*) were chosen as outgroups. Previous analyses (Chase et al. 1993; Cosner et al. 1994; Olmstead et al. 2000; Soltis et al. 2000) have indicated that Aquifoliales are sister to all other Euasterids II,

and, hence, the root was placed between *Ilex* and the other taxa.

### Morphological, Anatomical, Embryological, Palynological, Karyological, and Chemical Data

A data matrix was constructed (fig. 1) for 100 characters used to code morphological, anatomical, embryological, palynological, karyological, and chemical data collected from standard literature (Metcalfe and Chalk 1950, 1979, 1983; Hegnauer 1964, 1966, 1969a, 1969b, 1973, 1989, 1990; Davis 1966; Gibbs 1974; Corner 1976; Cutler and Gregory 1998) as well as more specific literature (referred to in app. B). Morphological data have been checked on herbarium specimens (table 2) as well as living plants.

Characters variable within taxa were coded as polymorphic, and no attempts to determine the plesiomorphic (ancestral) state within the genus were made. Characters with inapplicable states were coded using the reductive coding strategy (as recommended by Strong and Lipscomb 1999). Multistate characters were treated as unordered to avoid false statements on character polarity.

### Molecular Data

For this study, 24 new *atpB* gene nucleotide sequences, six new *ndhF* sequences, and three new *rbcL* sequences were obtained, and they are reported here for the first time (table 3; including information on the EMBL/GenBank accession numbers and vouchers). The DNA sequenced were usually extracted from herbarium material, according to the methods of Saghai-Marooof et al. (1984), modified by Doyle and Doyle (1987); a few specimens were sequenced from DNA extracted from silica-dried or fresh material. The DNA were purified with QIAquick PCR kit (Qiagen) according to the instructions provided by the manufacturer. Amplification was done using the polymerase chain reaction (PCR) with *atpB* primers described by Hoot et al. (1995), *ndhF* primers described by Oxelman et al. (1999), or *rbcL* primers described by Olmstead et al. (1992). The PCR products were sequenced with auto-

**Table 1**  
Taxon Sampling

Family	Number of genera	Genera sampled	Level of sampled genera (%)
Alseuosmiaceae	4	<i>Alseuosmia</i> , <i>Crispiloba</i> , <i>Wittsteinia</i>	75
Argophyllaceae	2	<i>Argophyllum</i> , <i>Corokia</i>	100
Asteraceae	Ca. 1535	<i>Barnadesia</i> , <i>Cichorium</i> , <i>Echinops</i> , <i>Gerbera</i> , <i>Helianthus</i> , <i>Tagetes</i> , <i>Tragopogon</i>	0.5
Calyceraceae	6	<i>Acicarpha</i> , <i>Boopis</i> , <i>Moschopsis</i>	50
Campanulaceae	Ca. 90	<i>Campanula</i> , <i>Codonopsis</i> , <i>Dialypetalum</i> , <i>Lobelia</i> , <i>Pseudonemacladus</i>	6
Donatiaceae	1	<i>Donatia</i>	100
Goodeniaceae	12	<i>Brunonia</i> , <i>Dampiera</i> , <i>Goodenia</i> , <i>Scaevola</i>	33
Menyanthaceae	5	<i>Fauria</i> , <i>Menyanthes</i> , <i>Nymphoides</i> , <i>Villarsia</i>	80
Pentaphragmataceae	1	<i>Pentaphragma</i>	100
Phellinaceae	1	<i>Phelline</i>	100
Rousseaceae	4	<i>Abrophyllum</i> , <i>Carpodetus</i> , <i>Cuttsia</i> , <i>Roussea</i>	100
Stylidiaceae	4	<i>Forstera</i> , <i>Levenhookia</i> , <i>Phyllachne</i> , <i>Stylidium</i>	100
Asterales unplaced as to family		<i>Platyspermatum</i>	

Note. The numbers of genera for each family are collected from Bremer (1994a), Mabberley (1997), Takhtajan (1997), Kårehed et al. (1999), Laurent et al. (1999), and Lundberg (2001). The levels of sampled genera are percentages of the total number of genera of the family.



Table 2

## Material Examined for Morphological Part of the Matrix

- Adoxaceae. *Viburnum foetens* Decn.: Polunin, Sykes & Williams 2036 (UPS). *Viburnum foetidum* Wall.: Smith 10047 (UPS). *Viburnum formosanum* Hayata: Ohwi 1869 (UPS). *Viburnum grandiflorum* Wall.: Ludlow, Sherriff & Hicks 16002 (UPS).
- Alseuosmiaceae. *Alseuosmia banksii* A. Cunn. var. *linariifolia* (A. Cunn.) R.O. Gardner: Colenso 326 (K). *Alseuosmia macrophylla* A. Cunn.: Ambler s.n. (S); Chapman s.n. (K). *Crispiloba disperma* (S. Moore) C.G.G.J. van Steenis: Telford 10906 (CBG). *Wittsteinia vacciniacea* F. Muell.: Stauffer, Willis, and Muir 5454 (CANB).
- Aquifoliaceae. *Ilex glabra* A. Gray: Sargent 8174 (UPS). *Ilex integra* C.P. Thunberg ex A. Murray: Matsumura s.n. (UPS).
- Argophyllaceae. *Argophyllum ellipticum* Labill.: Arembro 944 (P). *Argophyllum montanum* Schlechter: Hurlimann 749 (P); Skottsberg 117 (S). *Argophyllum* sp.nov.: Telford 6964 (CBG 7800149, at CANB). *Corokia carpodetoides* (F. Muell.) L.S. Smith: Hutton 98 (CBG 8317801, at CANB); McComish 147 (K). *Corokia cotoneaster* Raoul: Taylor 2623 (CBG 8805000, at CANB). *Corokia macrocarpa* T. Kirk: Travers s.n. (W).
- Asteraceae. *Barnadesia laurifolia* (Poir.) O. Ktze: Asplund 16595 (UPS). *Barnadesia parviflora* Spruce ex Benth. & Hook.f.: Asplund 17121 (UPS). *Barnadesia rosea* Lindl.: Malme 1648 (UPS). *Echinops dahuricus* Fisch.: Rosenius 457a (UPS). *Gerbera ambigua* (Cass.) Sch. Bip.: Mogg 17005 (UPS). *Gerbera anandria* (L.) Sch. Bip.: Ching s.n. (UPS). *Helianthus decapetalus* L.: Schumacher s.n. (UPS). *Helianthus divaricatus* L.: Blomberg s.n. (UPS). *Tagetes lucida* Cav.: Pringle 760 (UPS). *Tagetes minuta* L.: Malme 788 (UPS). *Tragopogon orientale* L.: Brown s.n. (UPS).
- Calyceae. *Acicarpa pinnatifida* Miers: Lorentz s.n. (UPS). *Acicarpa procumbens* Less.: Lorentz 1178 (UPS). *Acicarpa spathulata* R. Br.: Mosén 3425 (UPS). *Acicarpa tribuloides* Juss.: Malme 326 (UPS). *Boopis anthemoides* Juss.: Lorentz s.n. (UPS). *Boopis australis* Decne.: Skottsberg 863 (UPS). *Moschopsis rosulata* (N.E. Br.) Dusén: Skottsberg 685 (UPS).
- Campanulaceae. *Campanula cochlearifolia* Lam.: Alm s.n. (UPS). *Campanula erinus* L.: Alm s.n. (UPS). *Campanula latifolia* L.: Ludlow & Sherriff 7728 (UPS). *Campanula ramosissima* Sibth. & Sm.: Bigo s.n. (UPS); Julin s.n. (UPS). *Campanula runcunculoides* L.: Hylander s.n. (UPS). *Codonopsis ovata* Benth.: Fuller s.n. (UPS). *Codonopsis viridis* Wall.: Ludlow, Sherriff & Hicks 21478 (UPS). *Dialypetalum floribundum* Benth.: Rakoto 165 (UPS). *Dialypetalum* sp.: Gustafsson 244 (UPS). *Lobelia dortmanna* L.: Rolland-Germain 6062 (UPS). *Lobelia erinus* L.: Bremer 433 (UPS); Phillipson, Clement & Rafamanantsoa 3881 (UPS).
- Caprifoliaceae. *Symphoricarpos albus* (L.) S.F. Blake: Turesson & Alm 378 (UPS). *Symphoricarpos longiflorus* A. Gray: Porter 3667 (UPS). *Symphoricarpos occidentalis* Hook.: Brenckie s.n. (UPS); Cronquist 6785 (UPS).
- Escalloniaceae. *Anopterus glandulosus* Labill.: Vitt 29180 (UPS). *Escallonia pendula* (R. & P.) Pers.: Woytkowski 34334 (UPS). *Escallonia pulverulenta* (R. & P.) Pers.: Günther & Buchtien s.n. (UPS). *Escallonia resinosa* (R. & P.) Pers.: Hawkes, Hjerting, Cribb & Huaman 5125 (UPS). *Quintinia verdonii* F. Muell.: Vitt 27650 (UPS).
- Goodeniaceae. *Brunonia australis* Sm.: Gustafsson & Bremer 81 (UPS); Muir 254 (UPS). *Dampiera angulata* Rajput & Carolin: Gustafsson & Bremer 140 (UPS). *Dampiera krauseana* Rajput & Carolin: Gustafsson & Bremer 67 (UPS). *Dampiera spicigera* Benth.: Gustafsson & Bremer 52 (UPS). *Goodenia berardiana* (Gaudich.) Carolin: Gustafsson & Bremer 50 (UPS). *Goodenia mimuloides* S. Moore: Gustafsson & Bremer 74 (UPS). *Goodenia ovata* Sm.: Aston 804 (UPS). *Goodenia pterigosperma* R. Br.: Gustafsson & Bremer 148 (UPS). *Scaevola crassifolia* Labill.: Copley 2921 (UPS). *Scaevola lanceolata* Benth.: Gustafsson & Bremer 32 (UPS). *Scaevola mollis* Hook. & Arn.: Fagerlind 7165 (UPS). *Scaevola porocarya* F. Muell.: Gustafsson & Bremer 41 (UPS).
- Griselinaceae. *Griselinia littoralis* Raoul: Nilsson NZ4 (S); Selling s.n. (S). *Griselinia lucida* Forst.f.: Berggren s.n. (S).
- Melanophyllaceae. *Melanophylla madagascariensis* Keraudren: Humblot 437 (S).
- Menyanthaceae. *Fauria crista-galli* Makino: Gustafsson s.n. (UPS, flowers in alcohol). *Menyanthes trifoliata* L.: Holm BC254 (UPS); Turesson & Alm 166 (UPS). *Nymphoides aquaticum* Fernald: Godfrey 49191 (UPS). *Villarsia parnassifolia* (Labill.) R. Br.: Gustafsson & Bremer 165 (UPS), Gustafsson & Bremer 167 (UPS).
- Phellinaceae. *Phelline billardieri* Panch. ex Loes.: Franc 816 (K). *Phelline comosa* Labill.: Mackee 2503 (P).
- Rousseaceae. *Abrophyllum ornans* Hook.f.: Caley s.n. (UPS); Gray 1063 (K). *Carpodetus arboreus* Schlechter: Millar NGF 23675 (K). *Carpodetus serratus* J.R. Forst. & G. Forst.: Oswald s.n. (UPS); Womersley NGF 9438 (K). *Cuttsia viburnea* F. Muell.: Coveny 9875 (K); Hoogland & Hayes 8609 (K). *Roussea simplex* Sm.: Barday 2853 (K); Bernardi 14713 (K); Boivin s.n. (P); Bosser 22.630 (P); Coode 4120 (K); D'Urville s.n. (P); Lorence 2149 (P).
- Stylidiaceae. *Donatia fascicularis* J.R. Forst. & G. Forst.: Swenson & Martinsson 301 (UPS). *Forstera bidwillii* Hook.f.: Hamlin 794 (UPS). *Forstera tenella* Hook.f.: Berggren s.n. (UPS). *Levenhookia leptantha* Benth.: Bremer & Gustafsson 38 (UPS), Bremer & Gustafsson 75 (UPS). *Phyllachne uliginosa* J.R. Forst. & G. Forst.: Swenson & Martinsson 305 (UPS), Moore 2727 (UPS).

Note. Abbreviations of the herbaria follow Holmgren et al. (1990).

ment was straightforward and without any indels. The aligned part of the *atpB* gene corresponds to positions 25–1497, and that of the *rbcL* gene corresponds to positions 31–1428.

Also, the *ndhF* gene was unproblematic to align, although it was necessary to introduce several in-frame indels in the alignment (table 4 gives more detailed information for each of the indels). Eight of the indels are parsimony informative and coded as additional binary characters. The aligned part of the *ndhF* gene corresponds to positions 1–2223. The

aligned matrix can be received from the first author (lundberg@sys.bot.kyoto-u.ac.jp) on request.

#### Cladistic Analysis

The parsimony analysis was done with PAUP\* 4.0b10 (Swofford 2001), using heuristic searches with random addition sequences (with 100 addition sequence replicates; when the morphological data set was analyzed separately, 1000 ad-

Table 3

## Species Used in Nucleotide Sequence Data Matrix

Family and species	<i>atpB</i>	<i>ndhF</i>	<i>rbcL</i>
Adoxaceae:			
<i>Viburnum opulus</i> L.	AJ235640 (Savolainen et al. 2000a)	...	...
<i>Viburnum rhytidophyllum</i> Hemsl.	...	AF027273 (Oxelman et al. 1999)	X87398 (Gustafsson et al. 1996)
Alseuosmiaceae:			
<i>Alseuosmia macrophylla</i> A. Cunn.	AJ236198 (Albach et al. 2001)	AJ238334 (Kårehed et al. 1999)	X87377 (Gustafsson et al. 1996)
<i>Crispiloba disperma</i> (S. Moore) Steenis	AJ318968; for this study; Telford 10654 (CBG)	AJ238338 (Kårehed et al. 1999)	X87382 (Gustafsson et al. 1996)
<i>Wittsteinia vacciniacea</i> F. Muell.	AJ318985, AJ318986; for this study; Carroll 452 (CBG)	AJ238345 (Kårehed et al. 1999)	X87399 (Gustafsson et al. 1996)
Aquifoliaceae:			
<i>Ilex crenata</i> Thunb.	AJ235502 (Savolainen et al. 2000a)	AF130206 (Olmstead et al. 2000)	L01928 (Albert et al. 1992)
Argophyllaceae:			
<i>Argophyllum</i> sp.	AJ318965; for this study; Telford 3762 (CBG)	AJ238335 (Kårehed et al. 1999)	X87379 (Gustafsson et al. 1996)
<i>Corokia cotoneaster</i> Raoul	AJ235445 (Savolainen et al. 2000a)	AJ238337 (Kårehed et al. 1999)	L11221 (Xiang et al. 1993)
Asteraceae:			
<i>Barnadesia caryophylla</i> (Vell.) S.F. Blake	AF209537 (Soltis et al. 2000)	L39394 (Kim and Jansen 1995)	L01887 (Albert et al. 1992; Olmstead et al. 1992)
<i>Cichorium intybus</i> L.	AJ235433 (Savolainen et al. 2000a)	L39390 (Kim and Jansen 1995)	L13152 (Kim et al. 1992)
<i>Echinops bannaticus</i> Rochel ex Schrad.	AJ318973; for this study; Bremer s.n. (UPS)	...	...
<i>Echinops exaltatus</i> Schrad.	...	L39411 (Kim and Jansen 1995)	L13650 (Kim et al. 1992)
<i>Gerbera jamesonii</i> Bolus	AJ236200 (Albach et al. 2001)	L39403 (Kim and Jansen 1995)	L13643 (Kim et al. 1992)
<i>Helianthus annuus</i> L.	AJ236205 (Albach et al. 2001)	L39383 (Kim and Jansen 1995)	L13929 (Michaels et al. 1993)
<i>Tagetes erecta</i> L.	...	L39466 (Kim and Jansen 1995)	L13637 (Kim et al. 1992)
<i>Tagetes</i> sp.	AJ236206 (Albach et al. 2001)	...	...
<i>Tragopogon dubius</i> Scop.	AJ236197 (Albach et al. 2001)	...	...
<i>Tragopogon porrifolius</i> L.	...	L39391 (Kim and Jansen 1995)	L13647 (Kim et al. 1992)
Calyceraceae:			
<i>Acicarpa tribuloides</i> Juss.	AJ318963; for this study; Gustafsson 207 (UPS)	AJ318987; for this study; Gustafsson 207 (UPS)	X87376 (Gustafsson et al. 1996)
<i>Boopis anthemoides</i> Juss.	...	L39384 (Kim and Jansen 1995)	L13860 (Michaels et al. 1993)
<i>Boopis graminea</i> Phil.	AJ236199 (Albach et al. 2001)	...	...
<i>Moschopsis rosulata</i> (N.E. Br.) Dusén	AJ318979; for this study; Swenson & Martinsson 303 (UPS)	AJ318988; for this study; Swenson & Martinsson 303 (UPS)	X87390 (Gustafsson et al. 1996)
Campanulaceae:			
<i>Campanula ramosissima</i> Sibth. and Sm.	...	L39387 (Kim and Jansen 1995)	L13861 (Michaels et al. 1993)
<i>Campanula trachelium</i> Brot.	AJ235423 (Savolainen et al. 2000a)	...	...
<i>Codonopsis lanceolata</i> Trautv.	...	AF130185 (Olmstead et al. 2000)	...
<i>Codonopsis ovata</i> Benth.	...	...	L18797 (Cosner et al. 1994)
<i>Codonopsis pilosula</i> (Franch.) Nannf.	AJ236202 (Albach et al. 2001)	...	...
<i>Cyphia rogersii</i> S. Moore	AJ318970; for this study; Bremer 3813 (UPS)	AJ238339 (Kårehed et al. 1999)	AJ419698; for this study; Bremer 3813 (UPS)
<i>Dialypetalum</i> sp.	AJ318972; for this study; Gustafsson 244 (UPS)	AJ318989; for this study; Gustafsson 244 (UPS)	AJ318991; for this study; Gustafsson 244 (UPS)
<i>Lobelia angulata</i> Forst.	AJ235524 (Savolainen et al. 2000a)	...	...

**Table 3**  
(Continued)

Family and species	<i>atpB</i>	<i>ndhF</i>	<i>rbcL</i>
<i>Lobelia cardinalis</i> L.	...	AF130187 (Olmstead et al. 2000)	AF042659 (T. J. Givnish et al., unpublished manuscript) <sup>a</sup>
<i>Pseudonemacladus oppositifolius</i> (B.L. Rob.) McVaugh	AJ318982; for this study; Robinson 3300 (UPS)	AJ292983; for this study; Robinson 3300 (UPS)	AJ318992; for this study; Robinson 3300 (UPS)
Caprifoliaceae:			
<i>Symphoricarpos albus</i> (L.) S.F. Blake	AJ236208 (Albach et al. 2001)	...	L11682 (Olmstead et al. 1992)
<i>Symphoricarpos orbiculatus</i> Moench	...	AF130195 (Olmstead et al. 2000)	...
Donatiaceae:			
<i>Donatia fascicularis</i> J.R. Forst. and G. Forst.	...	AJ225074 (Laurent et al. 1999)	X87385 (Gustafsson et al. 1996)
<i>Donatia</i> sp.	AJ236203 (Albach et al. 2001)	...	...
Escalloniaceae:			
<i>Anopterus macleyanus</i> F. Meull.	AJ318964; for this study; Telford s.n. (EBG)	AJ292984; for this study; Telford s.n. (EBG)	Y10673 (Backlund and Bremer 1997)
<i>Escallonia coquimbensis</i> J. Rémy	...	...	L11183 (Morgan and Soltis 1993)
<i>Escallonia rubra</i> (Ruiz and Pav.) Pers.	AJ318974; for this study; Backlund s.n. (UPS)	AJ277383 (Lundberg 2001)	...
<i>Platyspermatium crassifolium</i> Guillaumin	AJ419689 (R. Schmid and J. Lundberg, unpublished manuscript)	AJ496220 (R. Schmid and J. Lundberg, unpublished manuscript)	AJ419700 (R. Schmid and J. Lundberg, unpublished manuscript)
<i>Quintinia quatrefagesii</i> F. Muell.	AJ318983; for this study; Lundberg 37 (UPS)	...	...
<i>Quintinia verdonii</i> F. Muell.	...	AJ238344 (Kårehed et al. 1999)	X87394 (Gustafsson et al. 1996)
Goodeniaceae:			
<i>Brunonia australis</i> Sm. ex R. Br.	AJ318966; for this study; Gustafsson & Bremer 81 (UPS)	...	X87380 (Gustafsson et al. 1996)
<i>Dampiera spicigera</i> Benth.	AJ318971; for this study; Gustafsson & Bremer 52 (UPS)	...	X87383 (Gustafsson et al. 1996)
<i>Dampiera diversifolia</i> de Vriese	...	L39386 (Kim and Jansen 1995)	...
<i>Goodenia ovata</i> Sm.	AJ318977; for this study; Gustafsson 208 (UPS)	AJ318990; for this study; Gustafsson 208 (UPS)	X87386 (Gustafsson et al. 1996)
<i>Scaevola aemula</i> R. Br.	AF209670 (Soltis et al. 2000)	...	...
<i>Scaevola frutescens</i> Krause	...	L39385 (Kim and Jansen 1995)	L13932 (Michaels et al. 1993)
Griselinaceae:			
<i>Griselinia littoralis</i> (Raoul) Raoul	AJ236213 (Albach et al. 2001)	...	...
<i>Griselinia lucida</i> G. Forst.	...	AF130205 (Olmstead et al. 2000)	L11225 (Xiang et al. 1993)
Melanophyllaceae:			
<i>Melanophylla alnifolia</i> Baker	AJ236212 (Albach et al. 2001)	AJ236244 (Albach et al. 2001)	U50254 (Plunkett et al. 1996)
Menyanthaceae:			
<i>Fauria crista-galli</i> Makino	AJ318975; for this study; Chase 3501 (K)	AJ238340 (Kårehed et al. 1999)	X87391 (Gustafsson et al. 1996)
<i>Menyanthes trifoliata</i> L.	AJ235533 (Savolainen et al. 2000a)	L39388 (Kim and Jansen 1995)	L14006 (Olmstead et al. 1993a)
<i>Nymphoides geminata</i> (R. Br.) Kuntze	AJ236204 (Albach et al. 2001)	...	...
<i>Nymphoides indica</i> (L.) Kuntze	...	AF130181 (Olmstead et al. 2000)	...
<i>Nymphoides peltata</i> Kuntze	...	...	X87392 (Gustafsson 1996)
<i>Villarsia calthifolia</i> F. Muell.	...	AF130180 (Olmstead et al. 2000)	L11685 (Olmstead et al. 1992)

**Table 3**  
(Continued)

Family and species	<i>atpB</i>	<i>ndhF</i>	<i>rbcL</i>
<i>Villarsia capitata</i> Nees	AJ318984; for this study; Fagerlind 3479 (S)	...	...
Pentaphragmataceae: <i>Pentaphragma ellipticum</i> Poulsen	AJ318980; for this study; Singapore Botanical Garden (UPS)	AF130183 (Olmstead et al. 2000)	L18794 (Cosner et al. 1994)
Phellinaceae: <i>Phelline comosa</i> Labill.	AJ235557 (Savolainen et al. 2000a)	AJ238342 (Kårehed et al. 1999)	X69748 (Savolainen et al. 1994)
Rousseaceae: <i>Abrophyllum ornans</i> Hook.f.	AJ318962; for this study; Gustafsson 248 (UPS)	AJ238333 (Kårehed et al. 1999)	X87375 (Gustafsson et al. 1996)
<i>Carpodetus serratus</i> J.R. Forst. and G. Forst.	AJ318967; for this study; Cameron s.n. (UPS)	AJ238336 (Kårehed et al. 1999)	Y08461 (Bremer and Gustafsson 1997)
<i>Cuttsia viburnea</i> F. Muell.	AJ318969; for this study; Cejie & Williams s.n. (UPS)	AJ277382 (Lundberg 2001)	Y08462 (Bremer and Gustafsson 1997)
<i>Roussea simplex</i> Sm.	AJ235586 (Savolainen et al. 2000a)	AJ277384 (Lundberg 2001)	AF084477 (Koontz and Soltis 1999)
Stylidiaceae: <i>Forstera bellidifolia</i> Hook.f.	AJ318976; for this study; Walsh 3491 (MEL)	AJ225092 (Laurent et al. 1999)	AJ225056 (Laurent et al. 1999)
<i>Levenhookia pauciflora</i> Benth.	AJ318978; for this study; Bremer & Gustafsson 122 (UPS)	AJ225080 (Laurent et al. 1999)	AJ225050 (Laurent et al. 1999)
<i>Phyllachne uliginosa</i> J.R. Forst. & G. Forst.	AJ318981; for this study; Swenson & Martinsson 305 (UPS)	AJ225075 (Laurent et al. 1999)	AF307929 (Wardle et al. 2001)
<i>Stylidium emarginatum</i> Sond.	...	AJ225078 (Laurent et al. 1999)	AJ225052 (Laurent et al. 1999)
<i>Stylidium graminifolium</i> Sw.	AJ236201 (Albach et al. 2001)	...	...

Note. Species are listed according to family (APG 1998; Lundberg 2001). Accession numbers and references to previously published sequences extracted from the European Molecular Biology Laboratory (EMBL) and GenBank are given. In addition to the accession numbers, voucher information is given for the species sequenced for this study. The herbarium abbreviations are according to Holmgren et al. (1990).

\* T. J. Givnish, T. B. Patterson, J. R. Hapeman, H. L. Corliss, J. F. Smith, W. J. Hahn, and K. J. Sytsma, unpublished manuscript.

dition sequence replicates were used), the MULTREES command on and using the tree-bisection-reconnection (TBR) branch swapping algorithm. Internal support for the clades was measured by Bremer support analysis (Bremer 1988, 1994b; Källersjö et al. 1992; using the reverse constraints approach) and jackknife analysis (Farris et al. 1996) using PAUP\* (with an average proportion of 36.8% of the characters deleted [Farris et al. 1996] and 5000 replicates, using the heuristic search option, one random addition sequence, and TBR branch swapping). Six analyses were conducted: the four data sets analyzed separately, the three nucleotide data sets combined, as well as all combined.

The character state changes for the morphological part of the matrix were optimized with MacClade 3.08 (Maddison and Maddison 1992), tracing only unambiguous changes.

Clades receiving a jackknife (JK) support of 50%–74% and/or a Bremer support (BS) value of 1–2 are regarded as having low support, and clades receiving a JK support of 75%–94% and/or a BS of 3–5 are moderately supported, while highly supported clades are those receiving JK values of 95% or higher and a BS of at least 6.

## Results

The separate analyses (fig. 2) gave no well-supported clades that contradicted the results from the combined analysis. This was taken as evidence that the data sets were congruent, and the discussion in the remaining part of the article will deal only with the results from the combined analysis.

Two most parsimonious trees (5879 steps, parsimoniously uninformative characters excluded, consistency index [CI] = 0.436, retention index [RI] = 0.608; fig. 3) were obtained by the parsimony analysis of the combined data set. Of the 100 morphological characters, 86 are homoplastic (fig. 4). All but three ingroup clades received JK support of more than 50%, and all but seven received a BS value of more than 4. Of the 39 ingroup clades, 29 are supported by a JK value of at least 95% and a BS value of at least 6 and can thus be regarded as strongly supported. Of the 10 remaining clades, six are supported by a JK value of at least 75% and/or a BS value of at least 3 and are thus moderately supported. All clades traditionally recognized on family level are well supported, including the recently suggested Rousseaceae *sensu lato* (including

**Table 4**  
**Insertions or Deletions (Indels) Introduced to the *ndhF* Sequence during Alignment Procedure**

Indel	Character number	Location	Size	Taxa
1		1405–1407	3	<i>Pentaphragma</i>
2	1	1431/1432	6	<i>Forstera</i> , <i>Levenhookia</i> , <i>Phyllachne</i>
3a		1443/1444	21	Insertion relative to <i>Nicotiana</i> present in all taxa
3b	2	1443/1444	6	Six extra bp in <i>Donatia</i> and <i>Scaevola</i>
4	3	1446/1447	3	<i>Symphoricarpos</i> , <i>Viburnum</i>
5		1450–1452	3	<i>Symphoricarpos</i>
6		1453–1461	9	<i>Roussea</i>
7		1468–1476	9	<i>Griselinia</i>
8		1480–1485	6	<i>Lobelia</i>
9		1485/1486	6	<i>Viburnum</i>
10		1489–1491	3	<i>Ilex</i>
11		1501–1503	3	<i>Ilex</i>
12		1503/1504	3	<i>Ilex</i>
13		1504–1512	9	<i>Viburnum</i>
14a		1513–1515	3	Deletion relative to <i>Nicotiana</i> present in all taxa
14b		1513–1518	6	Three extra bp deleted in <i>Pseudonemacladus</i>
14c		1513–1524	12	Nine extra bp deleted in <i>Boopis</i>
15		1561–1566	6	<i>Corokia</i>
16		1572/1573	3	<i>Forstera</i>
17	4	1693–1698	6	<i>Campanula</i> , <i>Codonopsis</i> , <i>Dialypetalum</i> , <i>Lobelia</i> , <i>Pseudonemacladus</i>
18	5	1702–1710	9	<i>Cichorium</i> , <i>Helianthus</i> , <i>Tagetes</i> , <i>Tragopogon</i>
19		1746/1747	6	<i>Levenhookia</i>
20		1747–1770	24	<i>Pentaphragma</i>
21	6	1755/1756	6	<i>Levenhookia</i> , <i>Phyllachne</i>
22		1773/1774	6	<i>Stylidium</i>
23	7	1911/1912	3	<i>Forstera</i> , <i>Levenhookia</i>
24	8	1911/1912	6	Six extra bp in <i>Forstera</i> , <i>Levenhookia</i> , <i>Moschopsis</i>

Note. The location is relative to the *ndhF*-sequence of *Nicotiana tabacum* (Shinozaki et al. 1986, as corrected by Olmstead et al. 1993b), with the first nucleotide in the *ndhF* start codon as position 1. An en dash indicates the range of nucleotides deleted, and a slash indicates the location of an insertion relative to the *N. tabacum* sequence. The sizes of the indels are in number of base pairs. Indels 3 and 14 are of different sizes in different taxa and are then given the same numbers but with different alphabetic separators for each size class. The deletions 3a and 14a (relative to *Nicotiana*) present in all sampled taxa were excluded from the alignment.

Carpodetaceae; JK = 97%, BS = 11, node 3 in fig. 3), Campanulaceae *sensu lato* (JK = 100%, BS = 96, node 7), and Stylidiaceae *sensu lato* (including *Donatia*; JK = 100%, BS = 16, node 31). The monophyly of a clade with *Pentaphragma* and Campanulaceae s.l. receives only moderate support (JK = 62%, BS = 3, node 6), while the monophyly of a clade with Rousseeaceae s.l., Campanulaceae s.l., and *Pentaphragma* receives only low support (JK < 50%, BS = 1, node 2). Within the well-supported MGCA clade (Menyanthaceae, Goodeniaceae, Calyceraceae, and Asteraceae; JK = 98%, BS = 11, node 14), a clade with Calyceraceae and Asteraceae is well supported (JK = 100%, BS = 23, node 22), with a monophyletic Goodeniaceae (JK = 100%, BS = 18, node 19) as their sister group (JK = 100%, BS = 49, node 18). Menyanthaceae are a member of the MGCA clade as sister to the remaining families (Asteraceae, Calyceraceae, and Goodeniaceae). Stylidiaceae and the MGCA clade form a low-supported clade (JK < 50%, BS = 2, node 13). Sister to this Stylidiaceae-MGCA clade is a low-supported clade (JK = 50%, BS = 2, node 35) with Alseuosmiaceae, Argophyllaceae, Phellinaceae, and *Platyspermation*. Within this clade, *Platyspermation* and Alseuosmiaceae form a well-supported clade (JK = 100%, BS = 58, node 36), while the monophyly of a

clade with Phellinaceae and Argophyllaceae receives only moderate support (JK = 87%, BS = 5, node 39).

The morphological data matrix (fig. 1) consists of 100 characters, of which 92 are parsimony informative and eight are variable but uninformative. The proportion of polymorphic character states in the matrix is about 7%. The proportion of missing data in the morphological data matrix is fairly high, around 18%. As could be expected, the missing data are not equally distributed among the taxa, and 13 taxa (in decreasing order: *Platyspermation*, *Dialypetalum*, *Pseudonemacladus*, *Crispiloba*, *Villarsia*, *Moschopsis*, *Fauria*, *Wittsteinia*, *Melanophylla*, *Roussea*, *Brunonia*, *Abrophyllum*, and *Cuttsia*) account for more than 50% of the missing data. The missing data are also not equally distributed among characters, with embryological and phytochemical characters contributing most to the missing data.

The aligned and analyzed part of the *atpB* sequence had an aligned length of 1473 positions. Of these, 976 were invariant among the taxa, 188 were variable but uninformative for parsimony analysis, and 309 were parsimony informative. The analyzed part of the *rbcL* nucleotide sequence had a length of 1395 positions. Of these, 952 positions were invariant among the taxa, 142 were variable but parsimony uninformative, and



301 were informative. The aligned and analyzed part of the *ndhF* sequence had a total aligned length of 2264 positions, of which 1065 were invariant, 399 were variable but uninformative, and 800 were parsimony informative. The binary indel coding of the aligned *ndhF* sequence resulted in eight parsimony informative characters (table 4). The total number of parsimony informative characters from the nucleotide sequence data set (excluding the *ndhF* indels) was 1410 characters and for the complete data set was 1512 characters.

### Discussion

The combined analysis gave two most parsimonious trees, with 29 of the 39 ingroup clades strongly supported (i.e., with JK values of 95% or more and BS values at least 6). Some of the only moderately supported groups concern intrafamily relationships (i.e., within Campanulaceae, Calyceraceae, and Stylidiaceae), while others identify clades also found in previous phylogenetic analyses. These include a clade consisting of Alseuosmiaceae, Phellinaceae, and Argophyllaceae (Gustafsson et al. 1996 [*Phelline* was not included in their analyses]; Backlund and Bremer 1997; Bremer and Gustafsson 1997; Gustafsson and Bremer 1997; Källersjö et al. 1998; Kårehed et al. 1999; Lundberg 2001). These results, with most of the intrafamilial clades in Asterales receiving high or moderate support, are promising because they give us a detailed phylogeny that can be used to discuss the morphological evolution, biogeography, and age of Asterales. In this article, we will concentrate on the morphology of the order, and particularly the well-supported clades are discussed with emphasis on morphological synapomorphies (summarized in table 5) and their evolution.

#### *Asterales* sensu lato

Despite the very high support values for this clade (JK = 100%, BS = 32, node 1 in fig. 3), only two morphological synapomorphies could be identified, the absence of apotracheal wood parenchyma and the valvate corolla aestivation. None of these is exclusive for Asterales; furthermore, both show other states within the order. Apotracheal wood parenchyma is present in Goodeniaceae (Carlquist 1969a), some Alseuosmiaceae (Dickison 1986; Carlquist 1992), and Rouseaceae subfamily Carpodetoideae (Hils 1985). The valvate corolla aestivation reverses to an imbricate aestivation in the *Donatia*-Stylidiaceae clade and occurs in parallel in several taxa outside of Asterales (among the Euasterids II, valvate petals are also known from, e.g., Apiaceae and from *Forgesia* and *Valdivia* of Escalloniaceae). Thus, it is possible that the choice of another outgroup would change the optimization of these characters. Other previously suggested synapomorphies for Asterales in the present circumscription either are synapomorphies for less inclusive clades (e.g., the secondary pollen presentation, possibly also the presence of the oligosaccharide inulin that replaces starch as the carbohydrate storage in many members of Asterales) or may be plesiomorphies (e.g., a basic chromosome number of nine as suggested by Bremer et al. [2001], which can also be found in the outgroup taxa).

#### *Rouseaceae* sensu lato

A clade consisting of the four genera *Roussea*, *Carpodetus*, *Cuttsia*, and *Abrophyllum* (node 3) was first recognized by Savolainen et al. (2000b) and Lundberg (2001), and it has recently been suggested that it should be recognized at family level (Lundberg 2001). The monophyly of the family is well supported (JK = 97%, BS = 11) by molecular data and by an increase in the number of carpels and ovary locules from two to five or more. The family has a peculiar distribution, with *Roussea* endemic to the mountain forests of the young volcanic island of Mauritius and the other three genera growing some 7700 km farther east, in eastern Australia, New Guinea, and New Zealand.

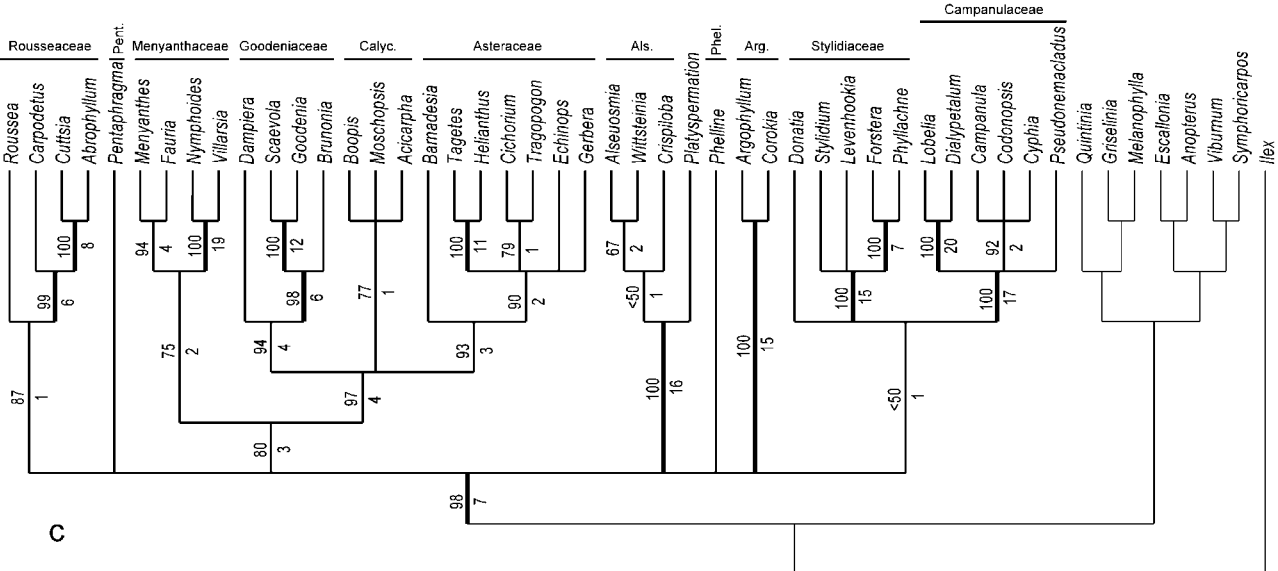
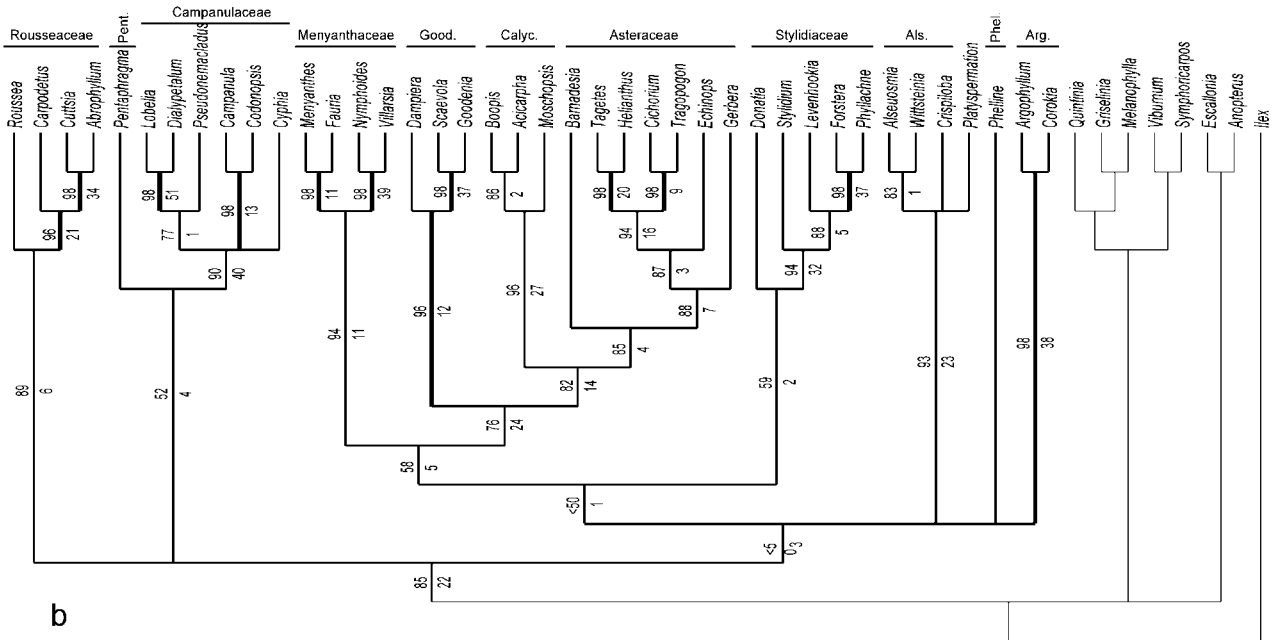
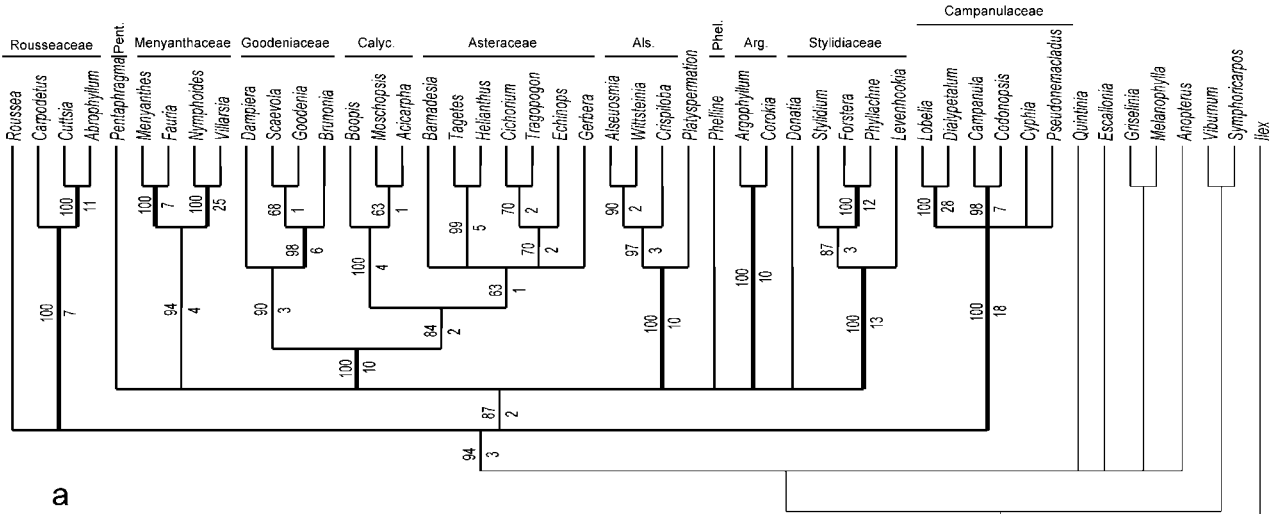
#### *The Pentaphragma-Campanulaceae Clade*

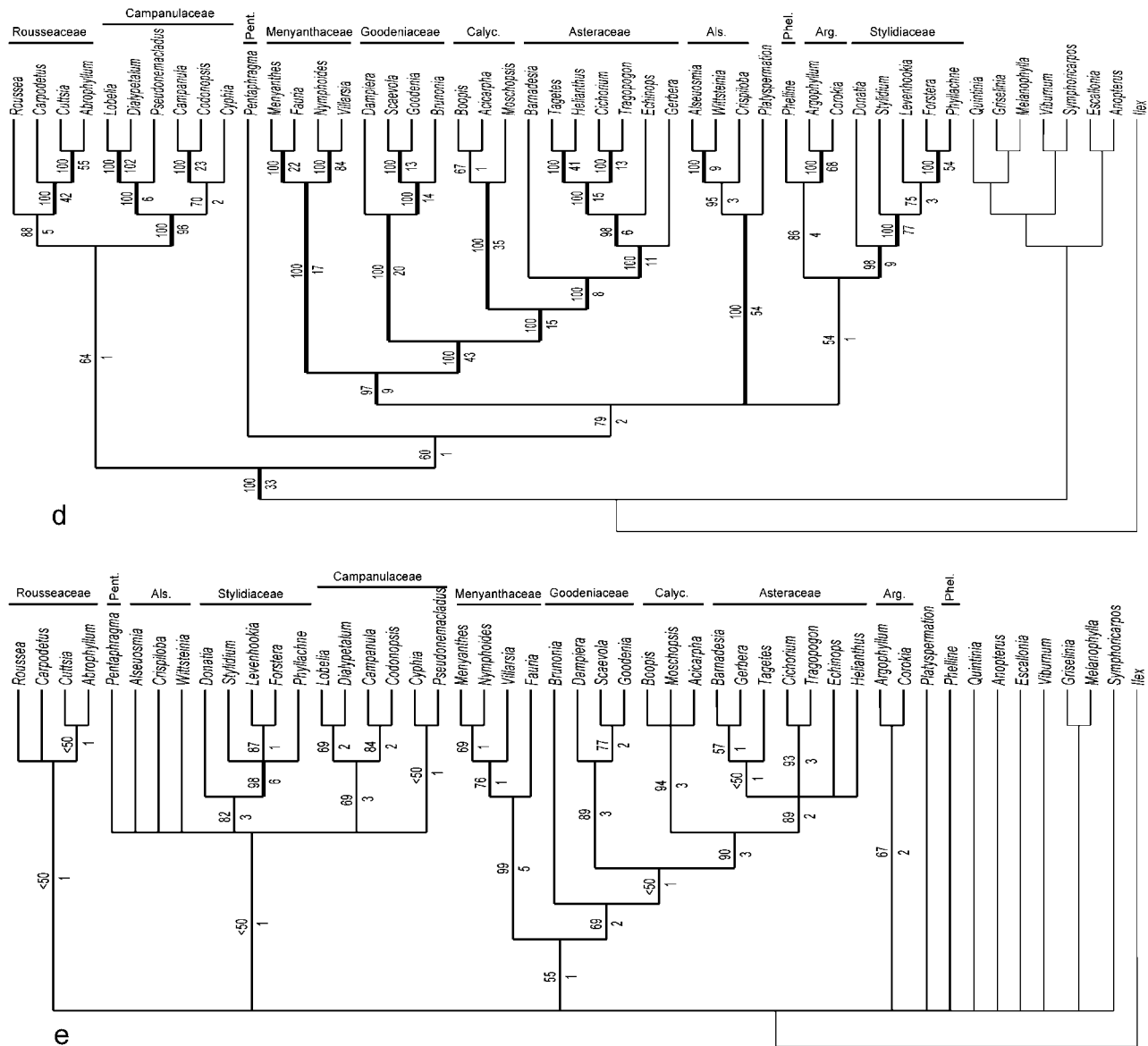
The *Pentaphragma*-Campanulaceae relationship (Schönland 1889) has been questioned by several earlier phylogenetic analyses on the basis of *rbcL* sequences (Cosner et al. 1994; Backlund and Bremer 1997; Savolainen et al. 2000b) or on *ndhF* sequence data (Jansen and Kim 1996; Olmstead et al. 2000). Other researchers have emphasized the dissimilarities between Campanulaceae and *Pentaphragma*; some wood anatomy features are supposed to be inconsistent with a close relationship between *Pentaphragma* and Campanulaceae (Carlquist 1997), as are pollen morphology (Dunbar 1978) and the arrangement and morphology of the nectaries (Vogel 1998). This analysis, however, gives moderate support (JK = 62%, BS = 3, node 6) for the monophyly of a clade with *Pentaphragma* and Campanulaceae s.l. Synapomorphies for this clade are the presence of a free hypanthium and the petal venation, where the secondary veins form a dense reticulum (Gustafsson 1995).

#### *Campanulaceae* sensu lato

A widely circumscribed Campanulaceae (node 7) that includes Lobeliaceae (here represented by *Lobelia* and *Dialypetalum*), Nemacladaceae (e.g., *Pseudonemacladus*), and Cyphiaceae (*Cyphia*) is strongly supported (JK = 100%, BS = 96). Cyphocarpaceae (*Cyphocarpus*), which have not been included in the analysis because of lack of material, are probably also best accommodated in Campanulaceae (Ayers 1999). Synapomorphies for the Campanulaceae s.l. clade include the latex cell ducts (paralleled in the tribe Lactucae of Asteraceae) and an *ndhF* deletion at position 1693–1698. The zygomorphic flowers, which characterize all subfamilies except for Campanuloideae, are probably a synapomorphy for a Cyphioideae-Nemacladioideae-Lobelioideae clade (Demker 1998).

In an early version of this article, the published *rbcL* sequence for *Cyphia elata* (L18796; Cosner et al. 1994) was included and aligned with the other *rbcL* sequences. In order to align this sequence, four single nucleotide gaps would be necessary to introduce in the sequence, which was taken as indications that this *rbcL* sequence might represent a pseudogene. A new *rbcL* sequence was obtained for *Cyphia rogersii* and replaced the suspected pseudogene. With the new *rbcL* sequence, together with a previously published *ndhF* sequence for the same species and a new *atpB* sequence, *Cyphia* moved from a position as the sister to the rest of the Campanulaceae (obtained in previously published analyses that have included



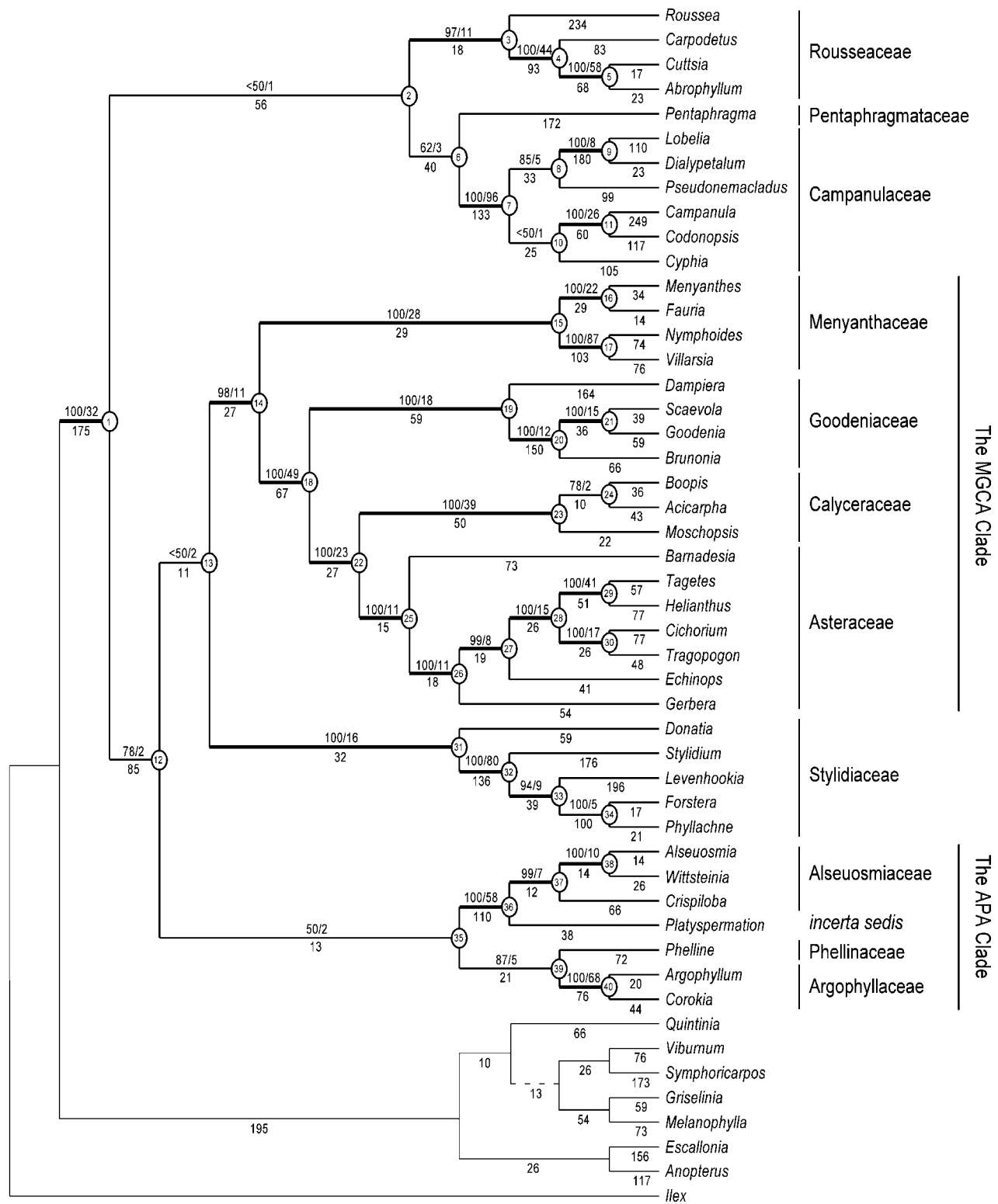


**Fig. 2** Strict consensus cladograms summarizing the results of the separate analyses as well as the analysis of the nucleotide sequence data. The ingroup (Asterales) branch supports are indicated for each branch, with the jackknife support values (%) above the branches and the Bremer support values below. Well-supported branches (i.e., with jackknife values >94% and Bremer support >5) are thicker than the less well-supported branches. Tree length, consistency index (CI), and retention index (RI) values are given for each analysis and are given with the parsimoniously uninformative characters excluded. Als. = Alseuosmiaceae; Arg. = Argophyllaceae; Calyc. = Calyceraceae; Pent. = Pentaphragmataceae; Phel. = Phellinaceae. *a*, *atpB*: 616 most parsimonious cladograms (from 17 tree islands), each 1007 steps long and with CI = 0.47 and RI = 0.65. *b*, *ndhF*: 60 most parsimonious cladograms (from one island), each 3287 steps, CI = 0.45, RI = 0.60. *c*, *rbcL*: 183 most parsimonious cladograms (from two islands), each 1066 steps, CI = 0.41, RI = 0.60. *d*, Nucleotide sequence data (*atpB*, *ndhF*, and *rbcL*): three most parsimonious cladograms (from one island), 5386 steps, CI = 0.45, RI = 0.60. *e*, morphology: 3038 most parsimonious cladograms (from 38 islands), each 457 steps, CI = 0.35, RI = 0.67.

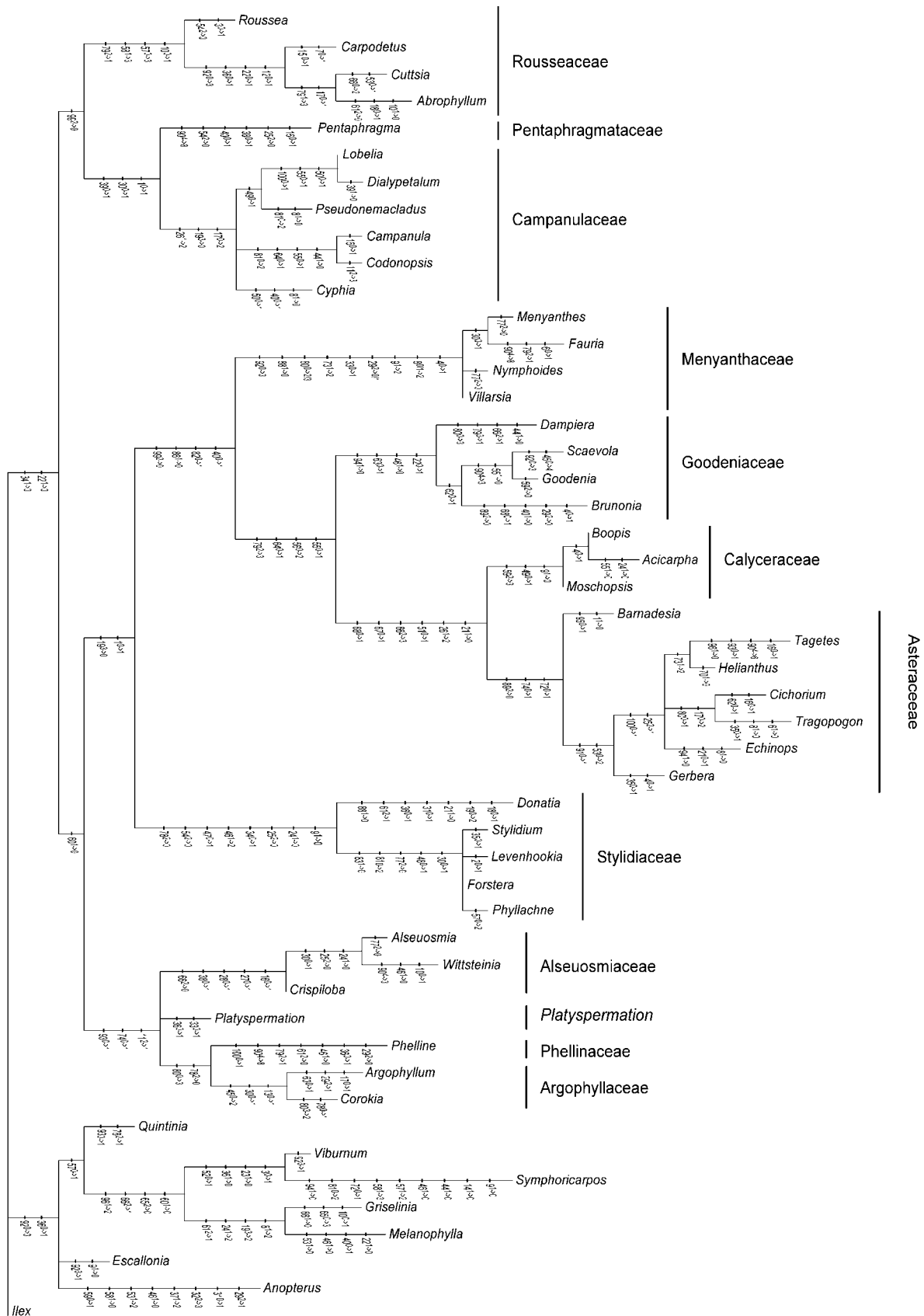
the *rbcL* sequence of *Cyphia*; Cosner et al. 1994; Gustafsson et al. 1996; Backlund and Bremer 1997; Bremer and Gustafsson 1997; Gustafsson and Bremer 1997; Kårehed et al. 1999; Savolainen et al. 2000b; Lundberg 2001) to a position within Campanulaceae as the sister taxon to Campanuloideae.

#### The Core Asterales

The Core Asterales consists of Menyanthaceae, Goodeniaceae, Calyceraceae, Asteraceae, Alseuosmiaceae, Phellinaceae, Argophyllaceae, Styliidiaceae, and the genus *Pla-*



**Fig. 3** One of the two most parsimonious cladograms resulting from the combined analysis (morphological and *atpB*, *ndhF*, and *rbcL* nucleotide sequence data). The trees are 5879 steps long (excluding uninformative characters) and are from the same tree island, with a consistency index of 0.44 and a retention index of 0.61. The ingroup (Asterales) branch supports are indicated above each branch, given as jackknife support values (%) / Bremer support values. Well-supported branches (jackknife support >94% and Bremer support >5) are thicker than the less well-supported branches, and the single branch not common to the two most parsimonious cladograms is dotted. Branch lengths as given by PAUP\* (assigned branch lengths, under DELTRAN) are given below each branch.



**Fig. 4** The morphological characters optimized on one of the most parsimonious trees. Only unambiguous changes are shown. Nodes not supported by morphological characters are collapsed.

*tyspermatation*. The monophyly of this clade receives only moderate support (JK = 78%, BS = 2, node 12), but a placenta that is not intrusive supports the clade. The other members of Asterales all have an intrusive placenta, which also seems to be the plesiomorphic state for Asterales. Within the Core Asterales is one large and very well-supported clade, the MGCA clade, and three smaller but still more or less well-supported clades (the *Platyspermatation*-Alseuosmiaceae clade, the Stylidiaceae s.l., and the Argophyllaceae-Phellinaceae clade). The relationships between the latter three clades are less well supported.

#### The MGCA Clade

A well-supported clade (JK = 98%, BS = 11, node 14) that consists of the four families Menyanthaceae, Goodeniaceae, Calyceraceae, and Asteraceae was first identified as late as 1992 (Downie and Palmer 1992; Lammers 1992; Olmstead et al. 1992; though none of these molecular analyses included Goodeniaceae) and since then by both molecular (Chase et al. 1993; Morgan and Soltis 1993; Cosner et al. 1994; Olmstead et al. 2000; Soltis et al. 2000; Bremer et al. 2001) and morphological (Gustafsson and Bremer 1995) studies. The clade is supported by several morphological synapomorphies: the presence of petal lateral veins (Gustafsson 1995), micropylar endosperm haustoria that have been lost (Cosner et al. 1994; the absence of chalazal haustoria might be a plesiomorphy for the group), and an integument that is thick and multilayered (Inoue and Tobe 1999). Other previously suggested synapomorphies can equally parsimoniously be interpreted as symplesiomorphies for this clade or as having several multiple origins within the MGCA clade. The simple vessel element perforation plates (Gustafsson and Bremer 1995) predominating the four-family clade are also found in other Asterales (the presence of multiperforate plates in some Asteraceae probably reflects paedomorphism; Carlquist 1966), and the apical confluent lateral veins of the petals (Gustafsson 1995; Gustafsson and Bremer 1995) cannot unequivocally be interpreted as a synapomorphy since lateral veins are absent in most (but not all) of the remaining taxa of Asterales. The multinucleate tapetal cells suggested as a synapomorphy for the four-family clade by Albach et al. (2001) are present in Menyanthaceae,

Calyceraceae, and subfamily Asteroideae in Asteraceae, while the tapetum cells are binucleate in Goodeniaceae and several Asteraceae as well as in most other members of Asterales. It thus seems best to interpret the origin of the multinucleate tapetum from a binucleate as three independent events, with the binucleate state as a symplesiomorphy for the MGCA clade.

Within the MGCA clade, the monophyletic Menyanthaceae (JK = 100%, BS = 28, node 15) are the sister group to a well-supported (JK = 100%, BS = 49, node 18) Goodeniaceae-Calyceraceae-Asteraceae clade. Synapomorphies for this latter clade are the presence of a prominent and branched columella layer in the pollen grains and a secondary pollen presentation syndrome including fused anthers.

#### The Calyceraceae-Asteraceae clade

The long-standing controversy about the closest relative to Asteraceae has now more or less coalesced into three alternatives: Calyceraceae (Gustafsson and Bremer 1995; Kim and Jansen 1995; Downie et al. 1996; Jansen and Kim 1996; Bremer and Gustafsson 1997; Carlquist and DeVore 1998; Olmstead et al. 2000; Bremer et al. 2001), Goodeniaceae (Gustafsson and Bremer 1995; Gustafsson et al. 1996), or a clade with Calyceraceae and Goodeniaceae (Chase et al. 1993; Michaels et al. 1993; Cosner et al. 1994; Savolainen et al. 2000b; Soltis et al. 2000). This study gives very strong support (JK = 100%, BS = 23, node 22) for a clade with Asteraceae and Calyceraceae, while Goodeniaceae are their sister group. There are several potential synapomorphies shared by Calyceraceae and Asteraceae, some of which were reviewed by Hansen (1992). The pollen of most Calyceraceae (Skvarla et al. 1977; Hansen 1992) and some Barnadesioideae (Skvarla et al. 1977; Hansen 1991; Zhao et al. 2000) has similar rounded intercolpar concavities, although the homology of this character has recently been questioned (Zhao et al. 2000; it is, however, unclear how they reached their conclusion; furthermore, one of the cladograms they showed as support for an independent origin of the intercolpar concavities in Calyceraceae and Barnadesioideae does not support this assumption). There are also similarities in the internal morphology of the pollen grains (Hansen 1992). The flowers of both families

Table 5

Some Important Clades Found in Combined Analysis

Clade (node number)	Support	Selected synapomorphies
Asterales s.l. (1)	JK: 100%/BS: 32	Petal buds valvate; apotracheal parenchyma absent
Calyceraceae-Asteraceae (22)	JK: 100%/BS: 23	Imperforate tracheary element pits simple; filament collar present; fused seed coat and endocarp; fruits dispersed by a modified calyx
Campanulaceae s.l. (7)	JK: 100%/BS: 96	Latex cell ducts present; only libriform fibers present; <i>ndhF</i> deletion at positions 1693–1698
Goodeniaceae-Calyceraceae-Asteraceae (18)	JK: 100%/BS: 49	Anthers fused with each other; active pollen presentation; pollen with a branched, prominent columella layer
The MGCA Clade (14)	JK: 98%/BS: 11	Integument thick; micropylar endosperm haustoria absent
Phellinaceae-Argophyllaceae (39)	JK: 87%/BS: 5	Pollen with rugulose sexine
Rousseaceae s.l. (3)	JK: 97%/BS: 11	Carpels and ovary locules numerous
Stylidiaceae s.l. (31)	JK: 100%/BS: 16	Nodes unilacunar; wood-rays absent; petals imbricate; extrastaminal floral nectar disk present; stamens 2–3; anthers extrorse

Note. Support values are given as jackknife support (JK) and Bremer support (BS). Only some selected synapomorphies are included. The node numbers refer to the strict consensus tree (fig. 1).

are usually aggregated into compact heads surrounded by involucre bracts, and the calyx is modified into a fruit dispersal apparatus (scaly and persistent in many Calyceraceae, pappus of various shapes in Asteraceae). There are also similarities in wood anatomy (Carlquist and DeVore 1998), e.g., the libriform fibers with simple pits found in Asteraceae (all tribes) and many Calyceraceae but not in Goodeniaceae; in petal venation, where the lateral veins are not anastomosing with the midvein (Hansen 1992; Gustafsson 1995; anastomosing in Menyanthaceae and Goodeniaceae); and in fruit morphology and anatomy. The distribution of the two families is also similar. Calyceraceae is a Central and South American family, while one of the oldest lineages of Asteraceae, subfamily Barnadesioideae, is entirely South American. This is also the region where the majority of the next-oldest Asteraceae lineages, i.e., the paraphyletic tribe Mutisieae, is found (Bremer 1994a). Conversely, Goodeniaceae is almost entirely Australian, with a few widely dispersed tropical shore plants as the exceptions. Differences in placentation (the single ovule of Calyceraceae is pendulous from the top of the locule, while in Asteraceae it is basal and erect) and chemistry (Calyceraceae, and also Goodeniaceae and Menyanthaceae, produce iridoids, while those substances are absent in Asteraceae where sesquiterpene lactones prevail) are often used as arguments against a very close relationship between Calyceraceae and Asteraceae. None of these dissimilarities, however, would be any better explained with Goodeniaceae or a combined Goodeniaceae-Calyceraceae clade as sister to Asteraceae than with Calyceraceae.

#### The *Donatia*-Stylidiaceae Clade

The genus *Donatia*, with its two species, was first placed in Saxifragaceae (Lindley 1853; Agardh 1858; Baillon 1872; Engler 1890) but later was transferred to Stylidiaceae as a monogeneric subfamily (Mildbraed 1908). This inclusion in Stylidiaceae was soon questioned (Chandler 1911; Skottsberg 1915; Rapson 1953), and a new monogeneric family for *Donatia* was suggested. The reasons for the exclusion of *Donatia* from Stylidiaceae were mainly differences in flower morphology; *Donatia* has actinomorphic flowers with free petals and free stamens, while Stylidiaceae have zygomorphic, sympetalous flowers where the stamens are united with the style into a column. However, further studies of embryology (Philipson and Philipson 1973), floral anatomy (Carolin 1960), and palynology (Erdtman 1952) have shown many similarities between *Donatia* and Stylidiaceae (e.g., the extrastaminal position of the nectaries, few stamens either inserted at the base of the style as in *Donatia* or completely fused with it as in Stylidiaceae, and the presence of both micropylar and chalazal haustoria), which suggests a position of *Donatia* either within Stylidiaceae or at least very close to this family. It was thus hardly surprising when we found that *Donatia* and Stylidiaceae form a strongly supported clade (JK = 100%, BS = 16, node 31). Several morphological synapomorphies support this clade, including a reversal to an imbricate petal bud aestivation in the otherwise valvate Asterales, a reduction in the number of stamens to only two or three, and the extrorse anthers. We also found that some of the earlier suggested embryological similarities between *Donatia* and Stylidiaceae are merely symplesiomorphies (e.g., the presence of endosperm haustoria). A

merging of *Donatia* with Stylidiaceae as a monogeneric subfamily (Donatioideae), as done by Mildbraed (1908), would reflect the close phylogenetic relationship of the taxa while it still would emphasize the many synapomorphies supporting Stylidiaceae *sensu stricto* (i.e., subfamily Stylidioideae), and this is supported by us.

#### The APA Clade

This analysis identified a clade with low support consisting of Alseuosmiaceae, Argophyllaceae, Phellinaceae, and *Platyspermation* (the APA clade; JK = 50%, BS = 2, node 35). Previous analyses have also identified this clade, with the exception of *Platyspermation*, which has not been included, but with only low support at best (*rbcL* sequence data: Gustafsson et al. 1996; Backlund and Bremer 1997; Gustafsson and Bremer 1997; Källersjö et al. 1998; Savolainen et al. 2000b; *ndbF* and *rbcL* sequence data: Kärehed et al. 1999; Lundberg 2001). The morphological synapomorphies for the clade are few and only poorly known. The male gametophyte is three celled at pollen dispersal (with a parallelism in Asteraceae), and ellagic acid is present in at least *Alseuosmia* and *Corokia*, while the other taxa in the APA clade are not investigated.

Within this clade, the Argophyllaceae-Phellinaceae clade receives moderate support (JK = 87%, BS = 5, node 39). This analysis also strongly supports a clade with Alseuosmiaceae and *Platyspermation* (JK = 100%, BS = 58, node 36), a very poorly known genus previously placed in Myrtaceae, Rutaceae, or, more recently, Escalloniaceae (Schmid 1980; van Steenis 1982). Another recent analysis also supports a position of *Platyspermation* within Asterales as the sister taxon to Alseuosmiaceae (R. Schmid and J. Lundberg, unpublished manuscript).

#### Conclusions

With the combination of three molecular data sets and one morphological data set, we have been able to reconstruct a fairly reliable and detailed phylogeny of the order Asterales. With a well-corroborated phylogeny, detailed questions regarding character evolution (both molecular and morphological), biogeography, and dating might be answered with confidence. It will also be possible to reach a stable classification that reflects the relationships between the taxa. There are, however, still some major clades with low support values, e.g., the basal split between the Rouseaceae-*Pentaphragma*-Campanulaceae clade and the rest of the Asterales. These less well-supported clades can probably receive higher support with more data collected, e.g., through sequencing of other genes and through detailed embryological and phytochemical investigations.

#### Acknowledgments

The authors thank Birgitta Bremer for putting laboratory facilities and knowledge to our disposal for the molecular work, Nahid Heidari for invaluable help with sequencing, and Ulla-Britt Sahlström for help with sectioning and preparation of microscopic slides. The authors must also thank Mats Thulin for pointing out the erroneous *Cyphia rbcL* sequence and

for many valuable comments on an earlier draft of this article. Richard G. Olmstead, Birgitta Bremer, Bengt Oxelman, Leif Tibell, and one anonymous reviewer are also to be thanked for many improving comments and suggestions. The curators

at CANB, CHR, K, P, S, and UPS are also to be thanked for loan of material, as are the librarians at the Uppsala University Library for help in locating literature. This research was supported by a Swedish Research Council grant to K. Bremer.

## Appendix A

### A Synopsis of Classification

The number of genera and species are given for each family and subfamily. They are mainly compiled from Bremer (1994a), Mabberley (1997), and Takhtajan (1997).

---

Asterales Lindl. (11 families/1671 genera/26,000 species)
Rousseaceae DC. (4 genera/6 species)
Rousseoideae Horan. (1/1)
Carpodetoideae (Fenzl) J. Lundberg (3/5)
Campanulaceae Juss. (ca. 95/2230)
Campanuloideae Burnett (ca. 60/950)
Cyphioideae (DC.) Schönland (1/60)
Cyphocarpioideae (Miers) M.H.G. Gustafsson (1/2)
Lobelioideae (Juss.) Schönland (29/1200)
Nemacladioideae (Nutt.) M.H.G. Gustafsson (3/15)
Pentaphragmataceae J. Agardh (1/ca. 25)
The Core Asterales
Alseuosmiaceae Airy Shaw (4/ca. 9)
Argophyllaceae (Engl.) Takht. (2/ca. 22)
Phellinaceae (Loes.) Takht. (1/ca. 10)
<i>Platyspermation</i> Guillaumin
Stylidiaceae R. Br. (5/170)
Donatioideae (Engl.) Mildbr. (1/2)
Stylidioideae (R. Br.) Kitt. (4/170)
The MGCA Clade
Menyanthaceae (Dumort.) Dumort. (5/60)
Goodeniaceae R. Br. (including Brunoniaceae) (12/420)
Calyceraceae R. Br. ex Rich. (6/50)
Asteraceae Dumort. (ca. 1535/23,000)
Barnadesioideae (Benth. and Hook.f.) K. Bremer and R.K. Jansen (9/92)
“Mutisieae” Cass. (76/970)
Carduoideae Kitam. (83/2500)
Cichorioideae Kitam. (232/3230)
Asteroideae (Cass.) Lindl. (1135/16,200)

---

## Appendix B

### Characters Used in the Morphological, Anatomical, Embryological, Palynological, Karyological, and Chemical Data Matrix

#### *Morphology and Leaf Anatomy*

Data have been collected from literature (Baillon 1872, 1880, 1886; Baker 1877; Höck 1889; Schönland 1889; Thouvenin 1890; Fritsch 1891; Kronfeld 1892; Gilg 1895; Harms 1897; Reiche 1900; Loesner 1901, 1942; Mildbraed 1908; Wangerin 1910; Krause 1912a, 1912b; Sinnott 1914; Engler 1928; Watari 1939; Airy Shaw 1941, 1954, 1965; Wimmer 1943, 1953, 1968; Metcalfe and Chalk 1950; Rapson 1953; Swamy 1954; van Slooten 1954; Allan 1961; Eyde 1966; Philipson 1967; Sleumer 1968; Carlquist 1969a; Stern et al. 1969; Stevens 1971; Patel 1973a, 1973b; Stern 1974; Baas 1975; Gardner 1976, 1978; Cullen 1978; Ramamonjjarisoa 1980; Schmid 1980; Böcher 1981; Aston 1982; van Steenis 1982,

1984; Hils 1985; Rosatti 1986; Dickison 1989; Forster 1990; Al-Shammary 1991; Hufford 1992; Dillon and Muñoz-Schik 1993; Al-Shammary and Gornall 1994; Bremer 1994a; Hutchins 1994; Judd et al. 1994; Gustafsson 1996; Gustafsson et al. 1996; Hansen 1997; Scott 1997; Takhtajan 1997; Carlquist and DeVore 1998; Gornall et al. 1998; Gregory 1998; Schatz et al. 1998; Kårehed et al. 1999; Laurent et al. 1999) and from our own observations of herbarium material. Some additional literature is mentioned below.

001 *Habit*: 0 = woody, 1 = herbaceous

002 *Duration*: 0 = perennial, 1 = annual

003 *Phyllotaxy*: 0 = alternate, 1 = opposite

004 *Leaf arrangement*: 0 = rosulate leaves absent, 1 = basal rosulate leaves present



005 *Leaf morphology*: 0 = simple, 1 = palmate lobed, 2 = pinnate lobed, 3 = palmate compound

006 *Leaf margins*: 0 = entire, 1 = serrate to dentate, 2 = spiny

007 *Domatia*: 0 = absent, 1 = present

008 *Petiole*: 0 = absent, 1 = present, bases not sheathing, 2 = present, bases sheathing

009 *Nodes*: 0 = unilacunar, 1 = trilacunar, 2 = penta- to multilacunar

010 *Leaf hypodermis*: 0 = absent, 1 = present

011 *Leaf vernation in bud*: 0 = involute, 1 = conduplicate, 2 = suprevolute, 3 = flat/curved

012 *Unicellular trichomes with imbedded bases*: 0 = absent, 1 = present

Eglandular, unicellular, and strongly curved trichomes with their bases imbedded in the epidermis have been described from *Abrophyllum* (Thouvenin 1890; Holle 1893), *Cuttsia*, and *Carpodetus*. For further details, see Al-Shammary and Gornall (1994).

013 *T-shaped pluricellular and uniseriate trichomes*: 0 = absent, 1 = present

The peculiar trichomes of *Argophyllum* and *Corokia*, with a multicellular stalk, a unicellular T-piece, and small slits at the junction between the T-piece and its stalk, have been noted by authors since Weiss (1890). For further details, see Al-Shammary and Gornall (1994).

#### Stem Anatomy

Data are entirely collected from literature (Thouvenin 1890; Fritsch 1891; Kronfeld 1892; Holle 1893; Solereder 1908; Krause 1912a; Engler 1928; Cox 1948; Adams 1949; Metcalfe and Chalk 1950, 1979, 1983; Rapson 1953; Li and Chao 1954; Carlquist 1957, 1958, 1959, 1965, 1966, 1969a, 1969b, 1981, 1992, 1997; Philipson 1967; Paliwal and Srivastava 1969; Stern et al. 1969; Patel 1973a, 1973b; Gibbs 1974; Stern 1974; Baas 1975; Gardner 1976; Carolin 1977; Thulin 1978; Ramamonjariisoa 1980; Schmid 1980; Cronquist 1981; Hils 1985; Dickison 1986, 1989; Hufford 1992; Karis et al. 1992; Lammers 1992; Judd et al. 1994; Takhtajan 1997; Carlquist and DeVore 1998; Gornall et al. 1998; Gregory 1998; Noshiro and Baas 1998).

014 *Cork origin*: 0 = pericyclic, 1 = superficial

015 *Ca-oxalate crystals in wood*: 0 = absent, 1 = druses, 2 = solitary

016 *Casparian thickenings*: 0 = absent, 1 = present

017 *Latex cells*: 0 = absent, 1 = single, 2 = ducts

018 *Resin cells*: 0 = absent, 1 = single

019 *Vessel element perforation plates*: 0 = simple, 1 = scalariform, <10 bars per plate, 2 = scalariform, 10–30 bars per plate, 3 = scalariform, 31–50 bars per plate, 4 = scalariform, >50 bars per plate

020 *Intervascular pits*: 0 = scalariform, 1 = transitional, 2 = alternate, 3 = opposite

021 *Imperforate tracheary element pits*: 0 = simple, 1 = bordered

022 *Parenchyma, apotracheal*: 0 = absent, 1 = present

023 *Parenchyma, paratracheal*: 0 = absent, 1 = present

024 *Wood-rays, uniseriate*: 0 = absent, 1 = homocellular, 2 = heterocellular

025 *Wood-rays, multiseriate*: 0 = absent, 1 = homocellular, 2 = heterocellular

026 *Imperforate elements*: 0 = tracheids, 1 = fiber-tracheids, 2 = libriform fibers

027 *Septate fibers*: 0 = absent, 1 = present

Septate fibers are found in *Pentaphragma*, Alseuosmiaceae, Argophyllaceae, *Lobelia*, *Ilex*, and some species of *Melanophylla* and *Griselinia*, although always together with nonseptate fibers (Adams 1949; Carlquist 1969b, 1997; Patel 1973a; Hils 1985; Dickison 1986; Takhtajan 1997; Noshiro and Baas 1998). Taxa in which the vegetative anatomy has been described but where septate fibers have not been mentioned have been coded as absent because it is assumed that septate fibers would have been mentioned if they were present.

028 *Living fibers storing starch at maturity*: 0 = absent, 1 = present

Living, starch-storing fibers are found in Alseuosmiaceae and *Pentaphragma* (Dickison 1986). Also, here, when these fibers are not mentioned in a vegetative anatomy description, this is taken as indication for their absence, and they are coded as absent.

#### Perianth and Floral Morphology

In addition to most of the literature cited under “Morphology and Leaf Anatomy,” data were also collected from Carolin (1960, 1977), Kapil and Vijayaraghavan (1965), Klopfer (1973), Sattler (1973), Bense and Palser (1975), Thulin (1978), van Steenis (1978), Erbar and Leins (1989), Erbar (1992, 1993, 1997), Hansen (1992), Cosner et al. (1994), Backlund and Donoghue (1996), Tirel (1996), Tirel and Jérémie (1996), Gustafsson and Bremer (1997), Lammers (1998), and Vogel (1998), and from our own observations of herbarium material. Data on corolla venation are mostly from Gustafsson (1995).

029 *Perianth position*: 0 = hypogynous, 1 = semiepigynous, 2 = epigynous

*Pentaphragma* has been coded as hypogynous because the septa separating the five deep nectar holders have been interpreted to be of filamentar origin (Vogel 1998). Thus, the only tissue connecting the hypanthium with the ovary is the lower parts of the partly epipetalous filaments, and the hypanthium can be interpreted to be hypogynously inserted.

030 *Free hypanthium*: 0 = absent, 1 = present

031 *Sepals*: 0 = fused, 1 = free

032 *Sepals, number of*: 0 = three, 1 = four, 2 = five, 3 = numerous

033 *Sepal size*: 0 = reduced, 1 = well developed and prominent

034 *Petals in bud*: 0 = valvate, 1 = imbricate

The petals are valvate in all ingroup taxa except *Donatia* and Styliidiaceae. In the outgroup used in this study, only imbricate petals are found, although valvate petals also occur in other members of the Euasterids II (e.g., Apiaceae, and *Forgesia* and *Valdivia* of Escalloniaceae).

035 *Corolla symmetry*: 0 = actinomorphic, 1 = zygomorphic of *Lamium*-type, 2 = zygomorphic of *Cyphia*-type

036 *Petal fusion*: 0 = fused, 1 = free

In all taxa included in this analysis that also were investigated by Erbar and Leins (1996), the petals originate from a

ring-formed primordium, irrespective of whether they are fused or free at maturity.

037 *Petals, number of*: 0 = four, 1 = five, 2 = numerous

038 *Petal wings*: 0 = absent, 1 = present

039 *Petal secondary veins*: 0 = not forming a dense distal reticulum, 1 = forming a dense distal reticulum

The petal venation (characters 019–044) of Asterales and related taxa has been described by Gustafsson (1995).

040 *Petal lateral veins*: 0 = absent, 1 = present

041 *Petal lateral veins*: 0 = ending subapically, 1 = apically confluent

042 *Petal lateral veins*: 0 = anastomosing with midvein, 1 = not anastomosing with midvein

043 *Petal lateral veins*: 0 = free, 1 = fused with adjacent laterals

044 *Petal venation*: 0 = anastomosing between petals, 1 = not anastomosing between petals

045 *Petal appendages*: 0 = appendages absent, 1 = paracorolla, 2 = corolline ligules, 3 = corona, 4 = barbulae

There are several types of petal appendages described in Asterales. Sometimes *Stylidium* has triangular, papillous appendages at the corolla tube throat (paracorolla). Corolline ligules are found in *Corokia* and *Argophyllum*, while a corona of more undetermined shape is present in Alseuosmiaceae. In some Menyanthaceae (particularly several species of *Nymphoides*; Aston 1982, 1987), barbulae either in the shape of fringed scales or as a rim of long papillae are present at the base of the corolla lobes. Similar pluriseriate emergences are also present at the margin of the corolla lobes of *Scaevola*.

046 *Floral nectaries*: 0 = absent, 1 = present, intrastaminal, 2 = present, extrastaminal

The floral nectaries of Asterales are often associated with the gynoecium, although the exact position and shape might be variable. Frequently, they are positioned inside the insertion of the stamens (naturally, so in taxa with stamens inserted epipetalous), but in *Donatia* the nectariferous tissue is extrastaminal. The same holds true for Stylidiaceae, but, there, the stamens are united with the style into a column (or absent, depending on the interpretation of the nature of the column; Erbar 1992), which forces the nectaries to be extrastaminal.

#### *Androecium*

In addition to most of the literature cited under “Morphology and Leaf Anatomy,” data were also collected from Perrot (1897), Burt (1948), Carolin (1960, 1977), Subramanyam (1970), Benschel and Palser (1975), Aston (1982), Stanley and Ross (1983), Erbar and Leins (1989), Erbar (1992, 1997), Hansen (1992), Karis et al. (1992), Ladd (1994), Gustafsson and Bremer (1995), Backlund and Donoghue (1996), and Vogel (1998), in addition to observations of herbarium material.

047 *Number of stamens*: 0 = (four-)five(-many), 1 = two to three

Only *Donatia* and Stylidiaceae have fewer than (four-)five stamens.

048 *Stamen-style column*: 0 = absent, 1 = present

In Stylidiaceae, the two stamens are united with the style into a bend, sometimes irritable, column that aids in pollination through its spring mechanism. The development of the

column has been studied in detail by Erbar (1992), who concluded that the origin of the column is obscure, although it might be interpreted as a receptacular tube with stigma and two sessile anthers at the top. The traditional interpretation that the column represents the style and the stamens fused into a gymnostemium (e.g., Mildbraed 1908; Subramanyam 1951) is thus not supported by Erbar (1992).

049 *Filaments*: 0 = free from each other, 1 = fused into a tube

050 *Filament hairs*: 0 = absent, 1 = present

051 *Filament collar*: 0 = absent, 1 = present

The filament collar, a differentiated region immediately below the anther, is present in all Asteraceae but is sometimes only indistinct (Bremer 1994a).

052 *Stamen-corolla tube*: 0 = absent, 1 = present

053 *Anther insertion*: 0 = basifixed, 1 = dorsifixed, 2 = saggitate

054 *Anthers*: 0 = extrorse, 1 = latrorse, 2 = introrse

055 *Anther fusion mechanism*: 0 = free, 1 = fused (conniventive)

056 *Pollen presentation*: 0 = primary; secondary: 1 = passive, 2 = active

Secondary pollen presentation (SPP) can be found in four families of Asterales, including the three largest families (Asteraceae, Campanulaceae, and Goodeniaceae) as well as Calyceraceae. SPP is also found outside Asterales but then mostly in a few scattered genera of about nine families, all without close relationship with Asterales (Ladd 1994). This indicates that SPP has arisen independently several times; this is also reflected in the wide array of mechanisms and morphologies relating to the SPP. Also in Asterales, SPP might have evolved several times and might have undergone some diversification. Ladd (1994) suggests two basic functional types of loading the pollen onto the pollen presenters: active and passive. In the active type, only present in Asteraceae, Goodeniaceae, and Lobelioideae, the pollen is collected by the pollen presenter when it is passing through the introrse anthers by the growth of the style. In contrast, in the passive type (present in Campanuloideae and also Cyphioideae), pollen is deposited on the pollen presenter already at the bud stage. The pollen is then presented to the pollinator either through subsequent growth of the style (Campanuloideae) or by active foraging by the pollinator (*Cyphia*).

#### *Gynoecium*

In addition to most of the literature cited under “Morphology and Leaf Anatomy,” data were also collected from Rosén (1935), Burt (1948), Adams (1949), Subramanyam (1951, 1970), Hutchinson (1959), Carolin (1960, 1977), Benschel and Palser (1975), Corner (1976), Krach (1976, 1977), van Steenis (1978), Aston (1982), Erbar and Leins (1989), Kiew (1990), Erbar (1992, 1993, 1997), Hansen (1992), Lammers (1992), Ladd (1994), Gustafsson and Bremer (1997); Hibscher-Jetter et al. (1997), and Vogel (1998), and from observations of herbarium material.

057 *Carpels, number of*: 0 = two, 1 = three, 2 = four, 3 = five, 4 = more than five

058 *Ovary locules*: 0 = unilocular, 1 = bilocular, 2 = trilocular, 3 = plurilocular

059 *Placentation*: 0 = axile, 1 = parietal/marginal, 2 = basal, 3 = apical, 4 = free-central

060 *Placenta*: 0 = not intrusive, 1 = intrusive

061 *Style*: 0 = absent, 1 = free and distinct, 2 = fused

062 *Style hairs*: 0 = glabrous, 1 = stylar hairs present

063 *Stylar indusium*: 0 = absent, 1 = present

The term “stylar indusium” applies to the cup-shaped pollen presenters of Goodeniaceae (including *Brunonia*; Carolin 1960).

064 *Stylar elongation*: 0 = late stylar elongation absent, 1 = present

In some taxa (i.e., Asteraceae, Calyceraceae, Goodeniaceae, Campanuloideae, and Lobelioideae), the style elongates after anther dehiscence. In these taxa, a portion of the style functions as (secondary) pollen presenters, and the growth of the style with the attached pollen facilitates the transfer of pollen from the presenter to the pollinator.

065 *Ovules*: 0 = one per carpel, 1 = two per carpel, 2 = more than two per carpel, 3 = less than one per carpel

#### *Fruit Morphology and Anatomy*

In addition to most of the literature cited under “Morphology and Leaf Anatomy,” data were also collected from Burt (1948), Cox (1948), Carolin (1966), Aston (1982), Stanley and Ross (1983), Chuang and Ornduff (1992), Hansen (1992), Backlund and Donoghue (1996), and from observations of herbarium material.

066 *Fruit type*: 0 = berry, 1 = drupe, 2 = capsule, 3 = cypsel

The cypsel refers to the indehiscent, false fruits of Asteraceae and Calyceraceae that develop from an inferior ovary of two carpels and with a single seed.

067 *Fruit type*: 0 = testa and endocarp free, 1 = testa and endocarp are fused to each other

In Calyceraceae and Asteraceae, the seed coat (testa) is adnate to the endocarp.

068 *Fruit dispersal modification*: 0 = none, 1 = modified calyx

A persistent calyx modified to aid the fruit in its dispersal is termed “pappus” in Asteraceae. In this family, it has undergone extensive diversification. The pappus in Barnadesioideae is often of villous bristles, but in one of the most plesiomorphic member of Barnadesioideae, *Schlechtendahlia*, the pappus is scaly (Stuessy et al. 1996). In the other subfamilies of Asteraceae, the pappus is variously of scabrid, barbellate, or plumose bristles, of scales or awns, or of combinations or variations thereof (Bremer 1994a). Also in Calyceraceae, the calyx is persistent and scaly and aids in fruit dispersal.

#### *Embryology, Male Gametophyte*

Embryological data were collected from literature (Rosén 1938; Kapil and Vijayaraghavan 1965; Davis 1966; Brewbaker 1967; Subramanyam 1970; Vijayaraghavan and Malik 1972; Bhatnagar 1973; Gardner 1976; Kamelina 1984; Dahlgren 1991; Johri et al. 1992; Kapil and Bhatnagar 1992; Backlund and Donoghue 1996; Pacini 1996; Tobe and Morin 1996; Takhtajan 1997). The definitions of the embryological characters follow Johri et al. (1992), unless otherwise stated.

069 *Anther epidermis*: 0 = persisting, 1 = degenerating

Most anther epidermis in Asterales are persistent, although Calyceraceae are reported as having a degenerating epidermis (Watson and Dallwitz 1992).

070 *Anther wall formation*: 0 = basic, 1 = dicotyledonous

The anther wall formation is according to the dicotyledonous type in all investigated members of Asterales, with the exception of *Alseuosmia* (Gardner 1976).

071 *Number of middle layers*: 0 = one, 1 = two, 2 = three

072 *Tapetum type*: 0 = glandular, 1 = amoeboid

Most of the Asterales for which this character is known have a glandular tapetum (Tobe and Morin 1996). The exception is Asteraceae, where the tapetum is amoeboid (Davis 1966).

073 *Tapetum cells*: 0 = mononucleate, 1 = binucleate, 2 = multinucleate

074 *Male gametophytes*: 0 = two-celled, 1 = three-celled

In Asterales, the pollen grains are two celled at dispersal in *Pentaphragma* and Calyceraceae and three-celled in Asteraceae, *Alseuosmia*, and *Corokia*. There are also some polymorphic taxa, where both two- and three-celled pollen can be found, i.e., Menyanthaceae, Styliaceae, Lobelioideae, and Campanuloideae (Tobe and Morin 1996).

#### *Pollen Morphology*

Data on pollen morphology were collected from literature (Kronfeld 1892; Erdtman 1952; Stix 1960; Skvarla and Turner 1966; Stevens 1971; Bronckers and Stainier 1972; Dunbar 1973, 1975a, 1975b, 1978; Nilsson 1973; Pastre and Pons 1973; Baas 1975; Hideux and Ferguson 1976; Cabrera 1977; Ferguson 1977; Lobreau-Callen 1977; Skvarla et al. 1977; Ferguson and Hideux 1978; Thulin 1978; Takhtajan 1983, 1997; Praglowski and Grafström 1985; Straka and Friedrich 1988; Nic Lughadha and Parnell 1989; Al-Shammary 1991; Hansen 1991, 1992; Hufford 1992; Karis et al. 1992; Judd et al. 1994; Backlund and Donoghue 1996; Gustafsson 1996; Stuessy et al. 1996; Gustafsson et al. 1997; Maciejewska 1997; Kårehed et al. 1999; Zhao et al. 2000).

075 *Intercolpar concavities*: 0 = absent, 1 = present

In some plesiomorphic Barnadesioideae, i.e., *Dasyphyllum* and *Schlechtendahlia*, each interapertural area has a large concave depression (e.g., Skvarla et al. 1977; Hansen 1991; Zhao et al. 2000). These intercolpar concavities have also been found in most species of the small family Calyceraceae (Skvarla et al. 1977; Hansen 1992), and this striking similarity in pollen morphology has been one of the strongest morphological arguments for a close relationship between Asteraceae and Calyceraceae (but see Zhao et al. 2000).

076 *Aperture number*: 0 = two, 1 = three, 2 = four, 3 = five, 4 = six, 5 = numerous

*Roussea* is anomalous in Asterales with its many apertures (described as penta- to hexa-aperturate by Straka and Friedrich 1988). However, there are also other taxa with a variable number of apertures. The widest range of aperture number can be found in Campanulaceae (three to 10; Takhtajan 1997) and Styliaceae (three to eight; Takhtajan 1997), while *Pentaphragma* have two to three apertures (Erdtman 1952) and *Donatia* has three to four (Takhtajan 1997).

077 *Aperture type*: 0 = colpate, 1 = porate, 2 = colporate

Colporate apertures are by far most common in Asterales. Menyanthaceae, *Alseuosmia*, *Styloidium*, and *Lobelia* are col-

pate, while *Roussea* is porate. *Campanula* is variable, with all three states present.

078 *Exine*: 0 = crassinexinous, 1 = isoexinous, 2 = crassisexinous

079 *Columella layer*: 0 = absent, 1 = reduced, 2 = prominent but unbranched, 3 = prominent and branched

080 *Sexine pattern*: 0 = without pattern (smooth), 1 = murate, 2 = striate, 3 = rugulose

081 *Supratectal processes*: 0 = without supratectal processes (smooth), 1 = verrucose, 2 = spinulose

The tectum may either be smooth or carry processes (Nilsson and Praglowski 1992). A spinulose tectum has pointed processes with a height of up to 1.5  $\mu\text{m}$ , and a verrucose tectum is beset with small wartlike processes (only present in *Nymphoides*).

#### *Embryology, Female Gametophyte*

In addition to the literature cited under "Embryology, Male Gametophyte," data have also been collected from Fritsch (1891), Engler (1928), Airy Shaw (1941, 1954), Loesner (1942), Allan (1961), Philipson and Philipson (1973), Yamazaki (1974), Baas (1975), Corner (1976), Carolin (1977), van Steenis (1984), Al-Shammary (1991), Hufford (1992), Judd et al. (1994), Gustafsson and Bremer (1995), and Inoue and Tobe (1999). The definitions of the embryological characters follow Johri et al. (1992), unless otherwise stated.

082 *Integument thickness*: 0 = thin (approximately three to six cells), 1 = thick (12–25 cells)

All the ingroup taxa as well as the outgroup are unitegmic. However, the thickness of the single integument is variable and can be divided into two nonoverlapping states. Thick integuments are found in Menyanthaceae, Goodeniaceae, and Asteraceae (Tobe and Morin 1996; Inoue and Tobe 1999). In all other ingroup taxa, either the integument is thin or the thickness is unknown.

083 *Hypostase*: 0 = absent, 1 = present

084 *Embryogeny*: 0 = Solanad, 1 = Caryophyllad, 2 = Asterad, 3 = Chenopodiad

085 *Endosperm formation*: 0 = cellular, 1 = nuclear

086 *Micropylar endosperm haustoria*: 0 = absent, 1 = present

The presence or absence of micropylar and chalazal (character 087) endosperm haustoria shows an interesting pattern in Asterales (Tobe and Morin 1996). The four-family clade with Menyanthaceae, Goodeniaceae, Calyceraceae, and Asteraceae first identified by cladistic analyses of nucleotide sequence data can be characterized, inter alia, by the absence of both chalazal and micropylar endosperm haustoria, while at least a subclade of Campanulaceae *sensu lato* is characterized by the presence of both chalazal and micropylar haustoria. Unfortunately, many important taxa are unknown with respect to these characters, and this is why it is difficult to determine the plesiomorphic states in Asterales and also to answer some more specific questions, e.g., whether the presence of micropylar endosperm haustoria in *Pentaphragma* can be taken as evidence for a close relationship with Campanulaceae (Kapil and Vijayaraghavan 1965).

087 *Chalazal endosperm haustoria*: 0 = absent, 1 = present

088 *Shape of suspensor*: 0 = not filamentous, 1 = filamentous

Data on this character are entirely from Tobe and Morin (1996).

089 *Endosperm in mature seed*: 0 = absent, 1 = scanty, 2 = copious

#### *Karyology*

Data on chromosome numbers are gathered from literature (Peacock 1963; Eyde 1966; Stevens 1971; Nilsson 1973; Raven 1975; Gardner 1976; Wagenitz 1976; Carolin 1977; Tomb 1977; Goldblatt 1978; James 1979; Thulin 1983; Bohm et al. 1986; Carr and McPherson 1986; Lammers 1992; DeVore 1993; Hellmayr et al. 1994; Dawson 1995; Backlund and Donoghue 1996; Gustafsson 1996; Takhtajan 1997; Oginuma et al. 1998). The large 22-kilobase pairs chloroplast DNA inversion and its distribution have been described by Jansen and Palmer (1987a, 1987b).

090 *Chromosome base number (x)*: 0  $x = 5$ , 1  $x = 6$ , 2  $x = 7$ , 3  $x = 8$ , 4  $x = 9$ , 5  $x = 10$ , 6  $x = 12$ , 7  $x = 15$ , 8  $x > 15$

091 *22kb cpDNA inversion*: 0 = absent, 1 = present

In 1987, Jansen and Palmer (1987b) reported a large chloroplast DNA inversion from all Asteraceae except the subtribe Barnadesiinae (now subfamily Barnadesioideae) of the tribe Mutisieae. This inversion is furthermore absent from all the putatively related families that were investigated.

#### *Chemistry*

Data were collected from literature (Rapson 1953; Bate-Smith and Metcalfe 1957; Cambie et al. 1961; Bate-Smith 1962; Hegnauer 1964, 1966, 1969a, 1969b, 1973, 1989, 1990; Plouvier and Favre-Bonvin 1971; Gibbs 1974; Bate-Smith et al. 1975; Jensen et al. 1975; Gardner 1976; González 1977; Wagner 1977; Thulin 1978; Ramamonjiarisoa 1980; Pollard and Amuti 1981; Debourges and Langlois 1982; Bohm et al. 1986, 1995; Kiew et al. 1987; Pusset et al. 1989; Langlois 1990; Aladesanmi et al. 1991; Al-Shammary 1991; Hufford 1992; Lammers 1992; Tomassini et al. 1993; Bohm and Stuessy 1995; Backlund and Donoghue 1996; Seeligmann 1996; Galle 1997; Takhtajan 1997; Krebs and Ramiarantsoa 1998).

#### *Terpenoids*

092 *Iridoids*: 0 = absent; carbocyclic iridoids: 1 = Group I, 2 = Group IV; secoiridoids: 3 = Group VI, 4 = Group VII

The classification of iridoids follows Jensen et al. (1975). The primary subdivision based on the biosynthetic pathway is in carbocyclic iridoids and secoiridoids. The carbocyclic iridoids are further divided into five groups by Jensen et al. (1975), of which only one, the 10-hydroxylated compounds (Group I), is present in Asterales (as monotropein, reported from *Stylidium*; Jensen et al. 1975), while griselinoside (in Group IV, 10-carboxylated and 10-decarboxylated iridoids) is known from *Griselinia* (Jensen et al. 1975). The secoiridoids are more common in Asterales. Jensen et al. (1975) recognize four subgroups of secoiridoids, of which two are present in Asterales. The gentiopicrosides (Group VII) are reported only

from *Menyanthes* (as sweroside; Plouvier and Favre-Bonvin 1971). Simple secoiridoids (Group VI) are reported from Menyanthaceae, Goodeniaceae, Calyceraceae, and *Corokia*. Iridoids are absent from Campanulaceae, Asteraceae, *Carpodetus*, *Alseuosmia*, and *Donatia*.

#### Phenols

093 *Ellagic acid*: 0 = absent, 1 = present

094 *Kaempferol*: 0 = absent, 1 = present

095 *p-Coumaric acid*: 0 = absent, 1 = present

096 *Cinnamic acids*: 0 = absent; present: 1 = caffeic acid, 2 = chlorogenic acid

#### Other

097 *Inuline*: 0 = absent, 1 = present

Inuline-type fructans are known to be accumulated by

many members of Asterales, i.e., Menyanthaceae, Goodeniaceae, Calyceraceae, Asteraceae, Styliadiaceae, Donatiaceae, and Campanulaceae (Rapson 1953; Pollard and Amuti 1981). Outside Asterales, accumulation is known only from the distantly related Boraginaceae (Pollard and Amuti 1981) and *Sphenoclea* (Porembski and Koch 1999) in the Euasterids I. Unfortunately, the presence or absence of inulin is not known for many of the woody taxa of Asterales; thus, it is not possible to determine whether the occurrence of inulin is a synapomorphy for Asterales (with a later reversal for *Pentaphragma*) or whether it has two independent origins within Asterales.

098 *Polyacetylenes*: 0 = absent, 1 = present

099 *Proanthocyanidins*: 0 = none, 1 = delphinidin, 2 = cyanidin, 3 = pelargonidin

100 *Alkaloids*: 0 = absent or present in low amounts, 1 = present with accumulation

### Literature Cited

- Adams JE 1949 Studies in the comparative anatomy of the Cornaceae. *J Elisha Mitchell Sci Soc* 65:218–244.
- Agardh JG 1858 *Theoria systematis plantarum*. CWK Gleerup, Lund.
- Airy Shaw HK 1941 XIII. Additions to the flora of Borneo and other Malay islands. XIX. The Pentaphragmataceae of the Oxford University Expedition to Sarawak, 1932. *Kew Bull* 1941:233–236.
- 1954 Pentaphragmataceae. Pages 517–528 in CGGJ van Steenis, ed. *Flora Malesiana*. Ser 1, vol 4, pt 5. Noordhoff-Kolff, Djakarta.
- 1965 Diagnoses of new families, new names etc., for the seventh edition of Willis's "Dictionary." *Kew Bull* 18:249–273.
- Aladesanmi AJ, JK Snyder, CJ Kelley, JJ Hoffmann 1991 Homoerythrina alkaloids of *Phelline comosa*. *Phytochemistry* 30:3497–3498.
- Albach DC, PS Soltis, DE Soltis, RG Olmstead 2001 Phylogenetic analysis of Asterids based on sequences of four genes. *Ann Mo Bot Gard* 88:163–212.
- Albert VA, SE Williams, MW Chase 1992 Carnivorous plants: phylogeny and structural evolution. *Science* 257:1491–1495.
- Allan HH 1961 *Flora of New Zealand*. Vol 1. Owen, Wellington.
- Al-Shammary KIA 1991 Systematic studies of the Saxifragaceae s.l., chiefly from the southern hemisphere. PhD diss. University of Leicester.
- Al-Shammary KIA, RJ Gornall 1994 Trichome anatomy of the Saxifragaceae s.l. from the southern hemisphere. *Bot J Linn Soc* 114:99–131.
- Angiosperm Phylogeny Group 1998 An ordinal classification for the families of flowering plants. *Ann Mo Bot Gard* 85:531–553.
- Aston HI 1982 New Australian species of *Nymphoides* Séguier (Menyanthaceae). *Muelleria* 5:35–51.
- 1987 *Nymphoides beaglensis* (Menyanthaceae): a new Australian species. *Muelleria* 6:359–362.
- Ayers T 1999 Systematics of *Cyphocarpus* (Campanulaceae): placement of an evolutionary enigma. Abstract 16.1.5. 16th International Botanical Congress, St. Louis, 1999.
- Baas P 1975 Vegetative anatomy and the affinities of Aquifoliaceae, *Sphenostemon*, *Phelline*, and *Oncotheca*. *Blumea* 22:311–407.
- Backlund A, B Bremer 1997 Phylogeny of the Asteridae s. str. based on *rbcL* sequences, with particular reference to the Dipsacales. *Plant Syst Evol* 207:225–254.
- Backlund A, MJ Donoghue 1996 Morphology and phylogeny of the order Dipsacales. Paper 4 in *Phylogeny of the Dipsacales*. PhD diss. Uppsala University.
- Baillon H 1872 *Histoire des plantes*. Vol 3. Librairie Hachette, Paris.
- 1880 *Histoire des plantes*. Vol 7. Librairie Hachette, Paris.
- 1886 *Histoire des plantes*. Vol 8. Librairie Hachette, Paris.
- 1892 *Histoire des plantes*. Vol 11. Librairie Hachette, Paris.
- Baker JG 1877 *Flora of Mauritius and the Seychelles*. Lovell Reeve, London.
- Bate-Smith EC 1962 The phenolic constituents of plants and their taxonomic significance. I. Dicotyledons. *J Linn Soc Lond Bot* 50:95–173.
- Bate-Smith EC, IK Ferguson, K Hutson, SR Jensen, BJ Nielsen, T Swain 1975 Phytochemical interrelationships in the Cornaceae. *Biochem Syst Ecol* 3:79–89.
- Bate-Smith EC, CR Metcalfe 1957 Leuco-anthocyanins. 3. The nature and systematic distribution of tannins in dicotyledonous plants. *J Linn Soc Lond Bot* 55:669–705.
- Bensel CR, BF Palser 1975 Floral anatomy in the Saxifragaceae *sensu lato*. III. Kirengeshomoideae, Hydrangeoideae and Escallonioidae. *Am J Bot* 62:676–687.
- Bentham G 1869 *Flora Australiensis*. Vol 4. Lovell Reeve, London.
- Bhatnagar AK 1973 Morphological and embryological studies in *Corokia*. *Botanica* 23:149.
- Böcher TW 1981 Evolutionary trends in Ericalean leaf structure. *K Dan Vidensk Selsk Biol Skr* 23:1–71.
- Bohm BA, KW Nicholls, R Ornduff 1986 Flavonoids of the Menyanthaceae: intra- and interfamilial relationships. *Am J Bot* 73:204–213.
- Bohm BA, A Reid, M DeVore, TF Stuessy 1995 Flavonoid chemistry of Calyceraceae. *Can J Bot* 73:1962–1965.
- Bohm BA, TF Stuessy 1995 Flavonoids of the Barnadesioideae. *Syst Bot* 20:22–27.
- Bremer K 1988 The limits of amino acid sequence data in angiosperm phylogenetic reconstruction. *Evolution* 42:795–803.
- 1994a Asteraceae cladistics and classification. Timber, Portland, Ore.
- 1994b Branch support and tree stability. *Cladistics* 10:295–304.
- Bremer K, A Backlund, B Sennblad, U Swenson, K Andreasen, M Hjertson, J Lundberg, M Backlund, B Bremer 2001 A phylogenetic analysis of 100+ genera and 50+ families of euasterids based on morphological and molecular data with notes on possible higher level morphological synapomorphies. *Plant Syst Evol* 229:137–169.
- Bremer K, MHG Gustafsson 1997 East Gondwana ancestry of the

- sunflower alliance of families. Proc Natl Acad Sci USA 94: 9188–9190.
- Brewbaker JL 1967 The distribution and phylogenetic significance of binucleate and trinucleate pollen grains in the angiosperms. Am J Bot 54:1069–1083.
- Bronckers F, F Stainier 1972 Contribution à l'étude morphologique du pollen de la famille des Stylidiaceae. Grana 12:1–22.
- Burtt BL 1948 Studies in the Ericales. IX. The taxonomic position of *Wittsteinia*. Kew Bull 1948:493–495.
- Cabrera AL 1977 Mutisieae: systematic review. Pages 1039–1066 in VH Heywood, JB Harborne, BL Turner, eds. The biology and chemistry of the Compositae. Vol 2. Academic Press, London.
- Cambie RC, BF Cain, S La Roche 1961 A New Zealand phytochemical survey. 2. The Dicotyledons. N Z J Sci 4:604–663.
- Carlquist S 1957 Wood anatomy of Mutisieae (Compositae). Trop Woods 106:29–45.
- 1958 Wood anatomy of Heliantheae (Compositae). Trop Woods 108:1–30.
- 1959 Wood anatomy of Helenieae (Compositae). Trop Woods 111:19–39.
- 1965 Wood anatomy of Cynareae (Compositae). Aliso 6: 13–24.
- 1966 Wood anatomy of Compositae: a summary, with comments on factors controlling wood evolution. Aliso 6:25–44.
- 1969a Wood anatomy of Goodeniaceae and the problem of insular woodiness. Ann Mo Bot Gard 56:358–390.
- 1969b Wood anatomy of Lobelioideae (Campanulaceae). Biotropica 1:47–72.
- 1981 Types of cambial activity and wood anatomy of *Stylidium* (Stylidiaceae). Am J Bot 68:778–785.
- 1992 Wood anatomy of sympetalous dicotyledon families: a summary, with comments on systematic relationships and evolution of the woody habit. Ann Mo Bot Gard 79:303–332.
- 1997 *Pentaphragma*: a unique wood and its significance. IAWA J 18:3–12.
- Carlquist S, ML DeVore 1998 Wood anatomy of Calyceraceae with reference to ecology, habit, and systematic relationships. Aliso 17: 63–76.
- Carolin RC 1960 Floral structure and anatomy in the family Stylidiaceae Swartz. Proc Linn Soc N S W 85:189–196.
- 1966 Seeds and fruit of the Goodeniaceae. Proc Linn Soc N S W 91:58–83.
- 1977 The systematic relationships of *Brunonia*. Brunonia 1: 9–29.
- Carr GD, G McPherson 1986 Chromosome numbers of New Caledonian plants. Ann Mo Bot Gard 73:486–489.
- Chandler B 1911 Note on *Donatia novae-zelandiae*, Hook. f. Notes R Bot Gard Edinb 5:43–47.
- Chase MW, DE Soltis, RG Olmstead, D Morgan, DH Les, BD Mishler, MR Duvall, et al 1993 Phylogenetics of seed plants: an analysis of nucleotide sequences from the plastid gene *rbcL*. Ann Mo Bot Gard 80:528–580.
- Chuang TI, R Ornduff 1992 Seed morphology and systematics of Menyanthaceae. Am J Bot 79:1396–1406.
- Corner EJH 1976 The seeds of dicotyledons. Cambridge University Press, Cambridge.
- Cosner ME, RK Jansen, TG Lammers 1994 Phylogenetic relationships in the Campanulales based on *rbcL* sequences. Plant Syst Evol 190:79–95.
- Cox HT 1948 Studies in the comparative anatomy of the Ericales. II. Ericaceae: subfamily Arbutoideae. Am Midl Nat 40:493–516.
- Cronquist A 1981 An integrated system of classification of flowering plants. Columbia University Press, New York.
- Cullen J 1978 A preliminary survey of ptyxis (vernation) in the angiosperms. Notes R Bot Gard Edinb 37:161–214.
- Cutler DF, M Gregory 1998 Anatomy of the dicotyledons. 2d ed. Vol 4. Saxifragales. Clarendon, Oxford.
- Dahlgren G 1991 Steps toward a natural system of the dicotyledons: embryological characters. Aliso 13:107–165.
- Dahlgren R 1975 A system of classification of the angiosperms to be used to demonstrate the distribution of characters. Bot Not 128: 119–147.
- Davis GL 1966 Systematic embryology of the angiosperms. Wiley, New York.
- Dawson M 1995 Contributions to a chromosome atlas of the New Zealand flora. 33. Miscellaneous species. N Z J Bot 33:477–487.
- Debourges D, N Langlois 1982 New alkaloids of the homoerythrinan group isolated from *Phelline brachyphylla*. J Nat Prod 45:163–167.
- Demker O 1998 Phylogeny and origin of the bellflower family. MS diss. Uppsala University.
- DeVore ML 1993 The systematics of *Acicarpha* (Calyceraceae). Am J Bot 80(suppl):144.
- Dickison WC 1986 Wood anatomy and affinities of the Alseuosmiaceae. Syst Bot 11:214–221.
- 1989 Stem and leaf anatomy of the Alseuosmiaceae. Aliso 12: 567–578.
- Dillon MO, M Muñoz-Schik 1993 A revision of the dioecious genus *Griselinia* (Griselinaceae), including a new species from the coastal Atacama Desert of northern Chile. Brittonia 45:261–274.
- Downie SR, E Llanas, DS Katz-Downie 1996 Multiple independent losses of the *rpoC1* intron in angiosperm chloroplast DNAs. Syst Bot 21:135–151.
- Downie SR, JD Palmer 1992 Restriction site mapping of the chloroplast DNA inverted repeat: a molecular phylogeny of the Asteridae. Ann Mo Bot Gard 79:266–283.
- Doyle JJ, JL Doyle 1987 A rapid DNA isolation procedure for small quantities of fresh leaf tissue. Phytochem Bull Bot Soc Am 19:11–15.
- Drude O 1889 Ericaceae. Pages 15–65 in A Engler, K Prantl, eds. Die natürlichen Pflanzenfamilien. Vol 4. Engelmann, Leipzig.
- Dunbar A 1973 A short report on the fine structure of some Campanulaceae pollen. Grana 13:25–28.
- 1975a On pollen of Campanulaceae and related families with special reference to the surface ultrastructure. I. Campanulaceae subfam. Campanuloideae. Bot Not 128:73–101.
- 1975b On pollen of Campanulaceae and related families with special reference to the surface ultrastructure. II. Campanulaceae subfam. Cyphioideae and subfam. Lobelioideae; Goodeniaceae; Sphenocleaceae. Bot Not 128:102–118.
- 1978 Pollen morphology and taxonomic position of the genus *Pentaphragma* Wall. (Pentaphragmataceae): the use of compound fixatives. Grana 17:141–147.
- Engler A 1890 Saxifragaceae. Pages 41–93 in A Engler, K Prantl, eds. Die natürlichen Pflanzenfamilien. Vol 3, pt 2a. Engelmann, Leipzig.
- 1928 Saxifragaceae. Pages 74–226 in A Engler, ed. Die natürlichen Pflanzenfamilien. 2d ed. Vol 18a. Engelmann, Leipzig.
- Erbar C 1992 Floral development of two species of *Stylidium* (Stylidiaceae) and some remarks on the systematic position of the family Stylidiaceae. Can J Bot 70:258–271.
- 1993 Studies on the floral development and pollen presentation in *Acicarpha tribuloides* with a discussion of the systematic position of the family Calyceraceae. Bot Jahrb Syst Pflanzengesch Pflanzengeogr 115:325–350.
- 1997 Fieberklee und Seekanne: Enzian- oder Aster-verwandt? Zur Blütenentwicklung und systematischen Stellung der Menyanthaceae. Bot Jahrb Syst 119:115–135.
- Erbar C, P Leins 1989 On the early floral development and the mechanisms of secondary pollen presentation in *Campanula*, *Jasione* and *Lobelia*. Bot Jahrb Syst 111:29–55.
- 1996 Distribution of the character states “Early Sympetaly” and “Late Sympetaly” within the “Sympetalae Tetracycliae” and presumably allied groups. Bot Acta 109:427–440.

- Erdtman G 1952 Pollen morphology and plant taxonomy. Angiosperms. Almqvist & Wiksell, Stockholm.
- Eyde RH 1966 Systematic anatomy of the flower and fruit of *Corokia*. *Am J Bot* 53:833–847.
- Farris JS, VA Albert, M Källersjö, D Lipscomb, AG Kluge 1996 Parsimony jackknifing outperforms neighbor-joining. *Cladistics* 12:99–124.
- Ferguson IK 1977 Cornaceae Dum. *World Pollen Spore Flora* 6:1–34.
- Ferguson IK, MJ Hideux 1978 Some aspects of the pollen morphology and its taxonomic significance in Cornaceae Sens. lat. 4th International Palynological Conference, Lucknow (1976–77) 1: 240–249.
- Forster PI 1990 *Argophyllum verae* (Saxifragaceae), a new species from northern Queensland. *Austrobaileya* 3:173–176.
- Fritsch K 1891 Caprifoliaceae. Pages 156–169 in A Engler, K Prantl, eds. *Die natürlichen Pflanzenfamilien*. Vol 4, pt 4. Engelmann, Leipzig.
- Galle FC 1997 Hollies: the genus *Ilex*. Timber, Portland, Oreg.
- Gardner RO 1976 Studies in the Alseuosmiaceae. PhD diss. University of Auckland.
- 1978 Systematic notes on the Alseuosmiaceae. *Blumea* 24: 138–142.
- Gibbs RD 1974 Chemotaxonomy of flowering plants. McGill-Queens's University Press, Montreal.
- Gilg E 1895 Gentianaceae. Pages 50–108 in A Engler, ed. *Die natürlichen Pflanzenfamilien*. Vol 4, pt 2. Engelmann, Leipzig.
- Goldblatt P 1978 A contribution to cytology in Cornales. *Ann Mo Bot Gard* 65:650–655.
- González AG 1977. Lactuceae: chemical review. Pages 1081–1095 in VH Heywood, JB Harborne, BL Turner, eds. *The biology and chemistry of the Compositae*. Vol 2. Academic Press, London.
- Gornall RJ, KIA Al-Shammari, M Gregory 1998 Escalloniaceae. Pages 41–86 in DF Cutler, M Gregory, eds. *Anatomy of the dicotyledons*. 2d ed. Vol 4. Saxifragales. Clarendon, Oxford.
- Gregory M 1998 Alseuosmiaceae. Pages 174–182 in DF Cutler, M Gregory, eds. *Anatomy of the Dicotyledons*. 2d ed. Vol 4. Saxifragales. Clarendon, Oxford.
- Gustafsson MHG 1995 Petal venation in the Asterales and related orders. *Bot J Linn Soc* 118:1–18.
- 1996 Phylogeny of the Goodeniaceae as evidenced by *rbcl* sequences and morphology. Paper 6 in *Phylogenetic studies in the Asterales sensu lato*. PhD diss. Uppsala University.
- Gustafsson MHG, A Backlund, K Bremer 1996 Phylogeny of the Asterales *sensu lato* based on *rbcl* sequences with particular reference to the Goodeniaceae. *Plant Syst Evol* 199:217–242.
- Gustafsson MHG, K Bremer 1995 Morphology and phylogenetic interrelationships of the Asteraceae, Calyceraceae, Campanulaceae, Goodeniaceae, and related families (Asterales). *Am J Bot* 82: 250–265.
- 1997 The circumscription and systematic position of Carpodetaceae. *Aust J Bot* 10:855–862.
- Gustafsson MHG, E Grafström, S Nilsson 1997 Pollen morphology of the Goodeniaceae and comparisons with related families. *Grana* 36:185–207.
- Hansen HV 1991 SEM-studies and general comments on pollen in tribe Mutisieae (Compositae) *sensu* Cabrera. *Nord J Bot* 10: 607–623.
- 1992 Studies in the Calyceraceae with a discussion of its relationship to Compositae. *Nord J Bot* 12:63–75.
- 1997 Studies in the Goodeniaceae and the Brunoniaceae with a discussion of their relationship to Asteraceae and Calyceraceae. *Nord J Bot* 17:495–510.
- Harms H 1897 Cornaceae. Pages 250–270 in A Engler, ed. *Die natürlichen Pflanzenfamilien*. Vol 3, pt 8. Engelmann, Berlin.
- Hegnauer R 1964 Chemotaxonomie der Pflanzen. Vol 3. Birkhäuser Verlag, Basel.
- 1966 Chemotaxonomie der Pflanzen. Vol 4. Birkhäuser Verlag, Basel.
- 1969a Chemical evidence for the classification of some plant taxa. Pages 121–138 in JB Harborne, T Swaine, eds. *Perspectives in phytochemistry*. Proceedings of the Phytochemical Society Symposium, Cambridge, April 1968. Academic Press, London.
- 1969b Chemotaxonomie der Pflanzen. Vol 5. Birkhäuser Verlag, Basel.
- 1973 Chemotaxonomie der Pflanzen. Vol 6. Birkhäuser Verlag, Basel.
- 1989 Chemotaxonomie der Pflanzen. Vol 8. Birkhäuser Verlag, Basel.
- 1990 Chemotaxonomie der Pflanzen. Vol 9. Birkhäuser Verlag, Basel.
- Hellmayr EM, M Kiehn, A Weber 1994 Chromosome numbers of Malayan rain-forest angiosperms. *Beitr Biol Pflanz* 68:51–71.
- Hibsch-Jetter C, DE Soltis, TD Macfarlane 1997 Phylogenetic analysis of *Eremosyne pectinata* (Saxifragaceae s.l.) based on *rbcl* sequence data. *Plant Syst Evol* 204:225–232.
- Hideux MJ, IK Ferguson 1976 The stereostructure of the exine and its evolutionary significance in Saxifragaceae *sensu lato*. Pages 327–377 in IK Ferguson, J Muller, eds. *The evolutionary significance of the exine*. Linnean Society Symposium Series, no. 1. Academic Press, London.
- Hils MH 1985 Comparative anatomy and systematics of twelve woody Australasian genera of the Saxifragaceae. PhD diss. University of Florida, Gainesville.
- Höck F 1889 Calyceraceae. Pages 84–86 in A Engler, ed. *Die natürlichen Pflanzenfamilien*. Vol 4, pt 5. Engelmann, Berlin.
- Holle G 1893 Beiträge zur Anatomie der Saxifragaceen und deren systematische Verwerthung. *Bot Centralbl* 53:1–9, 33–41, 65–70, 97–102, 129–136, 161–169, 209–222.
- Holmgren PK, NH Holmgren, LC Barnett, eds 1990 *Index Herbariorum*. Pt 1. The herbaria of the world. 8th ed. New York Botanical Garden, New York.
- Hooker JD 1867 Cornaceae. Pages 947–952 in G Bentham, JD Hooker, eds. *Genera Plantarum*. Vol 1, pt 3. Lovell Reeve, London.
- 1873 Caprifoliaceae. Pages 1–7 in G Bentham, JD Hooker, eds. *Genera Plantarum*. Vol 2, pt 1. Lovell Reeve, London.
- Hoot SB, A Culham, PR Crane 1995 The utility of *atpB* gene sequences in resolving phylogenetic relationships: comparison with *rbcl* and 18S ribosomal DNA sequences in the Lardizabalaceae. *Ann Mo Bot Gard* 82:194–207.
- Hufford L 1992 Rosidae and their relationships to other nonmagnoliid dicotyledons: a phylogenetic analysis using morphological and chemical data. *Ann Mo Bot Gard* 79:218–248.
- Hutchins G 1994 The genus *Corokia*. *Plantsman* 15:225–235.
- Hutchinson J 1959 Families of flowering plants. 2d ed. Vol 1. Oxford University Press, Oxford.
- Inoue N, H Tobe 1999 Integumentary studies in Menyanthaceae (Campanulales *sensu lato*). *Acta Phytotaxon Geobot* 50:75–79.
- James SH 1979 Chromosome numbers and genetic systems in the trigger plants of western Australia. *Aust J Bot* 27:17–25.
- Jansen RK, K-J Kim 1996 Implications of chloroplast DNA data for the classification and phylogeny of the Asteraceae. Pages 317–339 in DJN Hind, H Beentje, eds. *Compositae: systematics*. Proceedings of the International Compositae Conference, Kew, 1994. Vol 1. Royal Botanic Gardens, Kew.
- Jansen RK, JD Palmer 1987a Chloroplast DNA from lettuce and *Barnadesia* (Asteraceae): structure, gene localization, and characterization of a large inversion. *Curr Genet* 11:553–564.
- 1987b A chloroplast DNA inversion marks an ancient evolutionary split in the sunflower family (Asteraceae). *Proc Natl Acad Sci USA* 84:5818–5822.
- Jensen SR, BJ Nielsen, R Dahlgren 1975 Iridoid compounds, their

- occurrence and systematic importance in the angiosperms. *Bot Not* 128:148–180.
- Johri BM, KB Ambegaokar, PS Srivastava 1992 Comparative embryology of angiosperms. Springer, Berlin.
- Judd WS, RW Sanders, MJ Donoghue 1994 Angiosperm family pairs: preliminary phylogenetic analyses. *Harv Pap Bot* 5:1–51.
- Källersjö M, JS Farris, MW Chase, B Bremer, MF Fay, CJ Humphries, G Petersen, O Seberg, K Bremer 1998 Simultaneous parsimony jackknife analysis of 2538 *rbcL* DNA sequences reveals support for major clades of green plants, land plants, seed plants and flowering plants. *Plant Syst Evol* 213:259–287.
- Källersjö M, JS Farris, AG Kluge, C Bult 1992 Skewness and permutation. *Cladistics* 8:275–287.
- Kamelina OP 1984 To the embryology of the genus *Escallonia* (Escalloniaceae). *Bot Zh* 69:1304–1316. (In Russian with English abstract.)
- Kapil RN, AK Bhatnagar 1992 Embryology and systematic position of *Corokia* A. Cunn. Pages 246–247 in Proceedings of the 11th International Symposium Embryology and Seed Reproduction, Leningrad, July 3–7, 1990. Nauka, St. Petersburg.
- Kapil RN, MR Vijayaraghavan 1965 Embryology of *Pentaphragma horsfieldii* (Miq.) Airy Shaw with a discussion on the systematic position of the genus. *Phytomorphology* 15:93–102.
- Kårehed J, J Lundberg, B Bremer, K Bremer 1999 Evolution of the Australasian families Alseuosmiaceae, Argophyllaceae, and Phellinaceae. *Syst Bot* 24:660–682.
- Karis PO, M Källersjö, K Bremer 1992 Phylogenetic analysis of the Cichorioideae (Asteraceae), with emphasis on the Mutisieae. *Ann Mo Bot Gard* 79:416–427.
- Kiew R 1990 Three new species of *Pentaphragma* from Borneo. *Kew Bull* 45:545–554.
- Kiew R, NH Lajis, S Anthonysamy, I Bakar, CG Lim, O Yusuf, A Ravindran, MR Salam 1987 A phytochemical survey at Ulu Endau, Johore, Malaysia. *Malay Nat J* 41:329–336.
- Kim K-J, RK Jansen 1995 *ndhF* sequence evolution and the major clades in the sunflower family. *Proc Natl Acad Sci USA* 92:10379–10383.
- Kim K-J, RK Jansen, RS Wallace, HJ Michaels, JD Palmer 1992 Phylogenetic implications of *rbcL* sequence variation in the Asteraceae. *Ann Mo Bot Gard* 79:428–445.
- Klopfer K 1973 Florale Morphogenese und Taxonomie der Saxifragaceae *sensu lato*. *Feddes Repert* 84:475–516.
- Koontz JA, DE Soltis 1999 DNA sequence data reveal polyphyly of Brexioidae (Brexioaceae; Saxifragaceae *sensu lato*). *Plant Syst Evol* 219:199–208.
- Krachs JE 1976 Samen-anatomie der Rosifloren. I. Die Samen der Saxifragaceae. *Bot Jahrb Syst* 97:1–60.
- 1977 Seed characters in and affinities among the Saxifragaceae. *Plant Syst Evol* 1(suppl):141–153.
- Krause K 1912a Brunoniaceae. Pages 1–6 in A Engler, ed. *Das Pflanzenreich*. Vol 4, pt 277a. Engelmann, Leipzig.
- 1912b Goodeniaceae. Pages 1–207 in A Engler, ed. *Das Pflanzenreich*. Vol 4, pt 277. Engelmann, Leipzig.
- Krebs HC, H Ramiarantsoa 1998 Piperidine alkaloids and other constituents of *Dialypetalum floribundum*. *Phytochemistry* 48:911–913.
- Kronfeld M 1892 Aquifoliaceae. Pages 183–189 in A Engler, K Prantl, eds. *Die natürlichen Pflanzenfamilien*. Vol 3, pt 5. Engelmann, Leipzig.
- Ladd PG 1994 Pollen presenters in the flowering plants: form and function. *Bot J Linn Soc* 115:165–195.
- Lammers TG 1992 Circumscription and phylogeny of the Campanulales. *Ann Mo Bot Gard* 79:388–413.
- 1998 Nemacladoideae, a new subfamily of Campanulaceae. *Novon* 8:36–37.
- Langlois N 1990 New homoerythrinane alkaloids from *Phelline* spp. *Heterocycles* 30:659–664.
- Laurent N, B Bremer, K Bremer 1999 Phylogeny and generic interrelationships of the Styliaceae (Asterales), with a possible extreme case of floral paedomorphosis. *Syst Bot* 23:289–304.
- Li H-L, C-Y Chao 1954 Comparative anatomy of the woods of the Cornaceae and allies. *Q J Taiwan Mus* 7:119–136.
- Lindley J 1853 The vegetable kingdom. 3d ed. Bradbury & Evans, London.
- Lobreau-Callen D 1977 Les pollens des Celastrales. *Ecole pratique des hautes études. Sec 3. Mémoires et travaux de l'institut de Montpellier* No. 3, Montpellier.
- Loesner T 1901 Monographia Aquifoliacearum. Ehrhardt Karras, Halle.
- 1942 Aquifoliaceae. Pages 36–86 in A Engler, ed. *Die natürlichen Pflanzenfamilien*. 2d ed. Vol 20b. Engelmann, Leipzig.
- Lundberg, J 2001 The asteralean affinity of the Mauritian *Roussea* (Rousseaceae). *Bot J Linn Soc* 137:267–276.
- Mabberley DJ 1997 The plant-book. 2d ed. Cambridge University Press, Cambridge.
- Maciejewska I 1997 Pollen morphology of the Polish species of the family Caprifoliaceae. Pt 1. *Acta Soc Bot Pol* 66:133–142.
- Maddison WP, DR Maddison 1992 MacClade analysis of phylogeny and character evolution. Version 3. Computer software with documentation. Sinauer, Sunderland, Mass.
- Melchior H 1964 A. Engler's Syllabus der Pflanzenfamilien. 12th ed. Vol 2. Gebrüder Borntraeger, Berlin.
- Metcalfe CR, L Chalk 1950 Anatomy of the dicotyledons. Clarendon, Oxford.
- 1979 Anatomy of the dicotyledons. 2d ed. Vol 1. Clarendon, Oxford.
- 1983 Anatomy of the dicotyledons. 2d ed. Vol 2. Clarendon, Oxford.
- Michaels HJ, KM Scott, RG Olmstead, T Szaro, RK Jansen, JD Palmer 1993 Interfamilial relationships of the Asteraceae: insights from *rbcL* sequence variation. *Ann Mo Bot Gard* 80:742–751.
- Mildbraed J 1908 Styliaceae. Pages 1–98 in A Engler, ed. *Das Pflanzenreich*. Vol 4, pt 278. Engelmann, Leipzig.
- Morgan DR, DE Soltis 1993 Phylogenetic relationships among members of Saxifragaceae *sensu lato* based on *rbcL* sequence data. *Ann Mo Bot Gard* 80:631–660.
- Nic Lughadha EM, JAN Parnell 1989 Heterostyly and gene-flow in *Menyanthes trifoliata* L. (Menyanthaceae). *Bot J Linn Soc* 100:337–354.
- Nilsson S 1973 Menyanthaceae. *World Pollen Spore Flora* 2:1–20.
- Nilsson S, J Pragłowski, eds 1992 Erdtman's handbook of palynology. Munksgaard, Copenhagen.
- Noshiro S, P Baas 1998 Systematic wood anatomy of Cornaceae and allies. *IAWA J* 19:43–97.
- Oginuma K, R Kiapranis, K Damas, H Tobe 1998 A cytological study of some plants from Papua New Guinea. *Acta Phytotaxon Geobot* 49:105–114.
- Olmstead RG, B Bremer, KM Scott, JD Palmer 1993a A parsimony analysis of the Asteridae *sensu lato* based on *rbcL* sequences. *Ann Mo Bot Gard* 80:700–722.
- Olmstead RG, K-J Kim, RK Jansen, SJ Wagstaff 2000 The phylogeny of the Asteridae *sensu lato* based on chloroplast *ndhF* gene sequences. *Mol Phylogenet Evol* 16:96–112.
- Olmstead RG, HJ Michaels, KM Scott, JD Palmer 1992 Monophyly of the Asteridae and identification of their major lineages inferred from DNA sequences of *rbcL*. *Ann Mo Bot Gard* 79:249–265.
- Olmstead RG, JA Sweere, KH Wolfe 1993b Ninety extra nucleotides in *ndhF* gene of tobacco chloroplast DNA: a summary of revisions to the 1986 genome sequence. *Plant Mol Biol* 22:1191–1193.
- Oxelmann B, M Backlund, B Bremer 1999 Relationships of the Buddlejaceae s. l. investigated using parsimony jackknifing and branch



- support analysis of chloroplast *ndhF* and *rbcL* sequence data. *Syst Bot* 24:164–182.
- Pacini E 1996 Tapetum types in the Compositae: forms and function. Pages 21–28 in DJN Hind, HJ Beentje, eds. *Compositae: systematics*. Proceedings of the International Compositae Conference, Kew, 1994. Royal Botanic Gardens, Kew.
- Paliwal GS, LM Srivastava 1969 The cambium of *Alseuosmia*. *Phytomorphology* 19:5–8.
- Pastre A, A Pons 1973 Quelques aspects de la systématique des Saxifragacées à la lumière des données de la palynologie. *Pollen Spores* 15:117–133.
- Patel RN 1973a Wood anatomy of the dicotyledons indigenous to New Zealand. 1. Cornaceae. *N Z J Bot* 11:3–22.
- 1973b Wood anatomy of the dicotyledons indigenous to New Zealand. 2. Escalloniaceae. *N Z J Bot* 11:421–434.
- Peacock WJ 1963 Chromosome numbers and cytoevolution in the Goodeniaceae. *Proc Linn Soc N S W* 88:8–27.
- Perrot ME 1897 Anatomie comparée des Gentianées aquatiques (Menyanthées Griseb.). *Bull Soc Bot Fr* 44:340–354.
- Philipson WR 1967 *Griselinia* Forst. fil.: anomaly or link. *N Z J Bot* 5:134–165.
- Philipson WR, MN Philipson 1973 A comparison of the embryology of *Forstera* L. and *Donatia* J. R. and G. Forst. *N Z J Bot* 11:449–460.
- Plouvier V, J Favre-Bonvin 1971 Les iridoïdes et séco-iridoïdes: répartition, structure, propriétés, biosynthèse. *Phytochemistry* 10: 1697–1772.
- Plunkett GM, DE Soltis, PS Soltis 1996 Higher level relationships of Apiales (Apiaceae and Araliaceae) based on phylogenetic analysis of *rbcL* sequences. *Am J Bot* 83:499–515.
- Pollard CJ, KS Amuti 1981 Fructose oligosaccharides: possible markers of phylogenetic relationships among dicotyledonous plant families. *Biochem Syst Ecol* 3:69–78.
- Porembski S, M Koch 1999 Inulin occurrence in *Sphenoclea* (Sphenocleaceae). *Plant Biol* 1:288–289.
- Praglowski J, E Grafström 1985 The genus *Carpodetus* (Escalloniaceae): a pollenmorphological enigma. *Grana* 24:11–21.
- Pusset J, S La Barre, N Langlois, J Hamon 1989 Alkaloids of *Phelline comosa* var. *robusta*. *Phytochemistry* 28:1298–1300.
- Ramamonjariisoa BA 1980 Comparative anatomy and systematics of African and Malagasy woody Saxifragaceae *sensu lato*. PhD diss. University of Massachusetts, Amherst.
- Rapson LJ 1953 Vegetative anatomy in *Donatia*, *Phyllachne*, *Forstera* and *Oreostylidium* and its taxonomic significance. *Trans R Soc N S W* 80:399–402.
- Raven PH 1975 The bases of angiosperm phylogeny: cytology. *Ann Mo Bot Gard* 62:724–764.
- Reiche K 1900 Beiträge zur Systematik der Calyceraceen. *Bot Jahrb Syst* 19:107–119.
- Rosatti TJ 1986 The genera of Sphenocleaceae and Campanulaceae in the southeastern United States. *J Arnold Arbor Harv Univ* 67: 1–64.
- Rosén W 1935 Beitrag zur Embryologie der Stylidiaceen. *Bot Not* 1935:273–278.
- 1938 Beiträge zur Kenntnis der Embryologie der Goodeniaceen. *Acta Horti Gotob* 12:1–10.
- Saghai-Marouf MA, KM Soliman, RA Jorgensen, RW Allard 1984 Ribosomal DNA spacer-length polymorphisms in barley: Mendelian inheritance, chromosomal location, and population dynamics. *Proc Natl Acad Sci USA* 81:8014–8018.
- Sattler R 1973 *Organogenesis of flowers: a photographic text-atlas*. University of Toronto Press, Toronto.
- Savolainen V, MW Chase, SB Hoot, CM Morton, DE Soltis, C Bayer, MF Fay, AY de Bruijn, S Sullivan, Y-L Qiu 2000a Phylogenetics of flowering plants based on combined analysis of plastid *atpB* and *rbcL* gene sequences. *Syst Biol* 49:306–362.
- Savolainen V, MF Fay, DC Albach, A Backlund, M van der Bank, KM Cameron, SA Johnson, et al 2000b Phylogeny of the eudicots: a nearly complete familial analysis based on *rbcL* gene sequences. *Kew Bull* 55:257–309.
- Savolainen V, JF Manen, E Douzery, R Spichiger 1994 Molecular phylogeny of families related to Celastrales based on *rbcL* 5' flanking sequences. *Mol Phylogenet Evol* 3:27–37.
- Schatz GE, PP Lowry II, A-E Wolf 1998 Endemic families of Madagascar. I. A synoptic revision of *Melanophylla* Baker (Melanophyllaceae). *Adansonia* 20:233–242.
- Schmid R 1980 Comparative anatomy and morphology of *Psiloxylon* and *Heteropyxis*, and the subfamilial and tribal classification of Myrtaceae. *Taxon* 29:559–595.
- Schönland S 1889 Campanulaceae. Pages 40–70 in A Engler, K Prantl, eds. *Die natürlichen Pflanzenfamilien*. Vol 4, pt 5. Engelmann, Leipzig.
- Scott AJ 1997 85. Brexiacées. In J Bosser, T Cadet, J Guého, W Marais, eds. *Flore des Mascareignes: le Réunion, Maurice, Rodrigues*. Sugar Industry Research Institute, Mauritius.
- Seeligmann P 1996 Flavonoids of the Compositae as evolutionary parameters in the tribes which synthesize them: a critical approach. Pages 159–167 in DJN Hind, HJ Beentje, eds. *Compositae: systematics*. Proceedings of the International Compositae Conference, Kew, 1994. Royal Botanic Gardens, Kew.
- Shinozaki K, M Ohme, T Tanaka, T Wakasugi, N Hayashida, T Matsubayashi, N Zaita, et al 1986 The complete sequence of the tobacco chloroplast genome: its gene organization and expression. *EMBO (Eur Mol Biol Organ) J* 5:2041–2049.
- Sinnott EW 1914 Investigation on the phylogeny of the angiosperms. 1. The anatomy of the node as an aid in the classification of angiosperms. *Am J Bot* 1:303–322.
- Skottsberg C 1915 Notes on the relations between the floras of Subantarctic America and New Zealand. *Plant World* 18:129–142.
- Skvarla JJ, BL Turner 1966 Systematic implications from electron microscopic studies of Compositae pollen: a review. *Ann Mo Bot Gard* 53:220–256.
- Skvarla JJ, BL Turner, VC Patel, AS Tomb 1977 Pollen morphology in the Compositae and in morphologically related families. Pages 141–265 in VH Heywood, JB Harborne, BL Turner, eds. *The biology and chemistry of the Compositae*. Vol 1. Academic Press, London.
- Sleumer H 1968 Die Gattung *Escallonia* (Saxifragaceae). *Verh K Ned Akad Wet Afd Natuurkd Tweede Reeks* 58:1–146.
- Solereder H 1908 *Systematische Anatomie der Dicotyledonen*, Ergänzungsband. Enke, Stuttgart.
- Soltis DE, PS Soltis, MW Chase, ME Mort, DC Albach, M Zanis, V Savolainen, et al 2000 Angiosperm phylogeny inferred from 18S rDNA, *rbcL*, and *atpB* sequences. *Bot J Linn Soc* 133:381–461.
- Stanley TD, EM Ross 1983 *Flora of south-eastern Queensland*. Vol 1. Queensland Government, Brisbane.
- Stern WL 1974 Comparative anatomy and systematics of woody Saxifragaceae. *Escallonia*. *Bot J Linn Soc* 68:1–20.
- Stern WL, GK Brizicky, RH Eyde 1969 Comparative anatomy and relationships of Columelliaceae. *J Arnold Arbor Harv Univ* 50: 36–75.
- Stevens PF 1971 A classification of the Ericaceae: subfamilies and tribes. *Bot J Linn Soc* 64:1–53.
- Stix E 1960 Pollenmorphologische Untersuchungen an Compositen. *Grana Palynol* 2:41–104.
- Straka H, B Friedrich 1988 *Palynologia Madagassica et Mascarenica* Familien 65 bis 97. *Trop Subtrop Pflanzenwelt* 61:1–117.
- Strong EE, D Lipscomb 1999 Character coding and inapplicable data. *Cladistics* 15:363–371.
- Stuessy TF, T Sang, ML DeVore 1996 Phylogeny and biogeography of the subfamily Barnadesioideae with implications for early evolution of the Compositae. Pages 463–490 in DJN Hind, HJ Beentje, eds. *Compositae: systematics*. Proceedings of the International Compositae Conference, Kew, 1994. Royal Botanic Gardens, Kew.

- Subramanyam K 1951 A morphological study of *Stylidium graminifolium*. *Lloydia* 14:65–81.
- 1970 Stylidiaceae. *Bull Indian Natl Sci Acad* 41:317–320.
- Swamy BGL 1954 Morpho-taxonomical notes on the Escallonioidae. A. Nodal and petiolar vasculature. *J Madras Univ Sect B* 24: 299–306.
- Swofford DL 2001 PAUP: phylogenetic analysis using parsimony and other methods. Version 4. Sinauer, Sunderland, Mass.
- Takhtajan A 1966 *Systema et phylogenia magnoliophytorum*. Institut Botanici Nomine VL Kamarovii Academiae Scientiarum URSS, Moscow.
- 1983 The systematic arrangement of dicotyledonous families. Pages 180–201 in CR Metcalfe, L Chalk, eds. *Anatomy of the dicotyledons*. 2d ed. Vol 2. Clarendon, Oxford.
- 1997 Diversity and classification of flowering plants. Columbia University Press, New York.
- Thorne RF 1968 Synopsis of a putatively phylogenetic classification of the flowering plants. *Aliso* 6:57–66.
- 1992 Classification and geography of the flowering plants. *Bot Rev* 58:225–348.
- Thouvenin M 1890 Recherches sur la structure des Saxifragacées. *Ann Sci Nat Bot* 12:1–174.
- Thulin M 1978 *Cyphia* (Lobeliaceae) in tropical Africa. *Bot Not* 131: 455–471.
- 1983 Some tropical African Lobeliaceae: chromosome numbers, new taxa and comments on taxonomy and nomenclature. *Nord J Bot* 3:371–382.
- Tirel C 1996 Rétablissement de *Periomphale* Baill. (Alseuosmiaceae), genre endémique de Nouvelle-Calédonie. *Bull Mus Natl Hist Nat Sect B Adansonia Bot Phytochim* 18:155–160.
- Tirel C, J Jérémie 1996 Alseuosmiaceae. Pages 100–106 in P Morat, ed. *Flore de la Nouvelle-Calédonie*. Vol 20. Muséum National d'Histoire Naturelle, Paris.
- Tobe H, NR Morin 1996 Embryology and circumscription of Campanulaceae and Campanulales: a review of literature. *J Plant Res* 109:425–435.
- Tomassini L, S Foddai, M Nicoletti, SE Giuffra, MR Garcia, FH Bravo 1993 Iridoid glycosides from *Escallonia* species. *Biochem Syst Ecol* 21:621–623.
- Tomb AS 1977 Lactuceae: systematic review. Pages 1067–1079 in VH Heywood, JB Harborne, BL Turner, eds. *The biology and chemistry of the Compositae*. Vol 2. Academic Press, London.
- van Slooten DF 1954 Stylidiaceae. Pages 529–532 in CGGJ van Steenis, ed. *Flora Malesiana*. Ser 1, vol 4, pt 5. Noordhoff-Kolff, Djakarta.
- van Steenis CGGJ 1978 The genus *Periomphale* in New Guinea (Carnifoliaceae). *Blumea* 24:480–481.
- 1982 157. Preliminary note on the taxonomic disposition of *Platyspermation* Guillaumin (Myrtaceae) from New Caledonia. Pages 21–26 in CGGJ van Steenis, JF Veldkamp, eds. *Miscellaneous botanical notes* 26. Reinwardtia 10.
- 1984 A synopsis of Alseuosmiaceae in New Zealand, New Caledonia, Australia, and New Guinea. *Blumea* 29:387–394.
- Vijayaraghavan MR, U Malik 1972 Morphology and embryology of *Scaevola frutescens* K. and affinities of the family Goodeniaceae. *Bot Not* 125:241–254.
- Vogel S 1998 Remarkable nectaries: structure, ecology, organophyletic perspectives. IV. Miscellaneous cases. *Flora* 193:225–248.
- Wagenitz G 1976 Systematics and phylogeny of the Compositae (Asteraceae). *Plant Syst Evol* 125:29–46.
- Wagner H 1977 Cynareae: chemical review. Pages 1017–1038 in VH Heywood, JB Harborne, BL Turner, eds. *The biology and chemistry of the Compositae*. Vol 2. Academic Press, London.
- Wangerin W 1910 Cornaceae. Pages 1–110 in A Engler, ed. *Das Pflanzenreich*. Vol 4, pt 229. Engelmann, Berlin.
- Wardle P, C Ezcurra, C Ramiriz, S Wagstaff 2001 Floristic comparison of Southern Andean and New Zealand plant communities. *N Z J Bot* 39:69–108.
- Watari S 1939 Anatomical studies on the leaves of some Saxifrageous plants, with special reference to the vascular system. *J Fac Sci Univ Tokyo Sect III Bot* 5:195–316.
- Watson L, MJ Dallwitz 1992 *The families of flowering plants: description, illustrations, identification, and information retrieval*. Version: August 19, 1999. <http://www.keil.ukans.edu/delta/>.
- Weiss A 1890 Untersuchungen über die Trichome von *Corokia budleoides* Hort. *Sitzungsber Kaiserl Akad Wiss Math-Naturwiss Cl Abt* 1 99:268–282.
- Wimmer FE 1943 Campanulaceae: Lobelioideae. Pages 1–260 in L Diels, ed. *Das Pflanzenreich*. Vol 4, pt 276b. Engelmann, Leipzig.
- 1953 Campanulaceae: Lobelioideae. II. Teil. Pages 261–813 in H Stubbe, K Noack, eds. *Das Pflanzenreich*. Vol 4, pt 276b. Akademie Verlag, Berlin.
- 1968 Campanulaceae: Cyphioideae. Pages 917–1014 in H Stubbe, K Noack, eds. *Das Pflanzenreich*. Vol 4, pt 276c. Akademie Verlag, Berlin.
- Xiang Q-Y, DE Soltis, DR Morgan, PS Soltis 1993 Phylogenetic relationships of *Cornus* L. *sensu lato* and putative relatives inferred from *rbcL* sequence data. *Ann Mo Bot Gard* 80:723–734.
- Yamazaki T 1974 A system of Gamopetalae based on the embryology. *J Fac Sci Univ Tokyo Sect III Bot* 11:263–281.
- Zhao Z, JJ Skvarla, RK Jansen, ML DeVore 2000 Phylogenetic implications of pollen morphology and ultrastructure in the Barnadesioideae (Asteraceae). *Lundellia* 3:26–40.